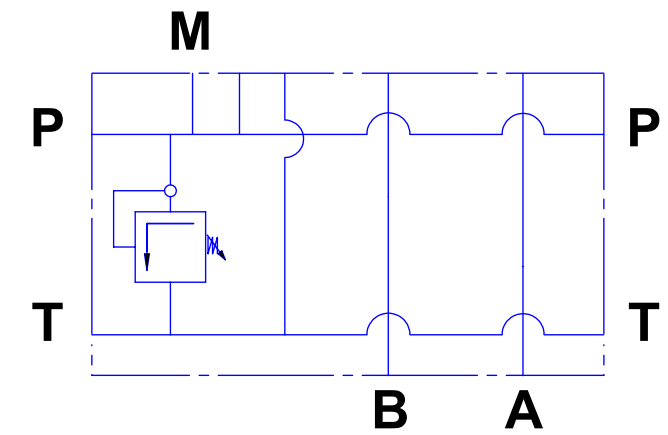


### Hydraulic Schema



MAX. FLOW RATE	40 L/min
MAX. PRESSURE	250 bar
PORT THREAD	P,T = G 3/8 A,B = G 3/8
MOUNTING SURFACE	NG6

NOTES:

DESIGNED BY:

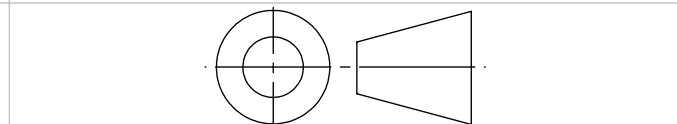
DESCRIPTION

REVISION:

DATE: 25.12.2017

NG6-1 RV

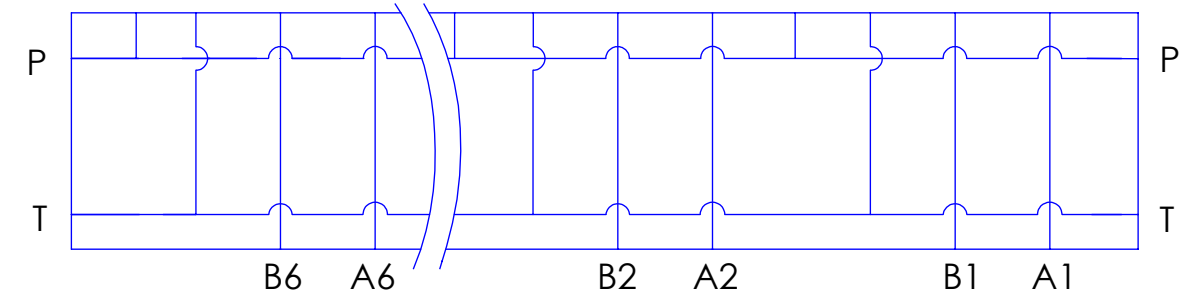
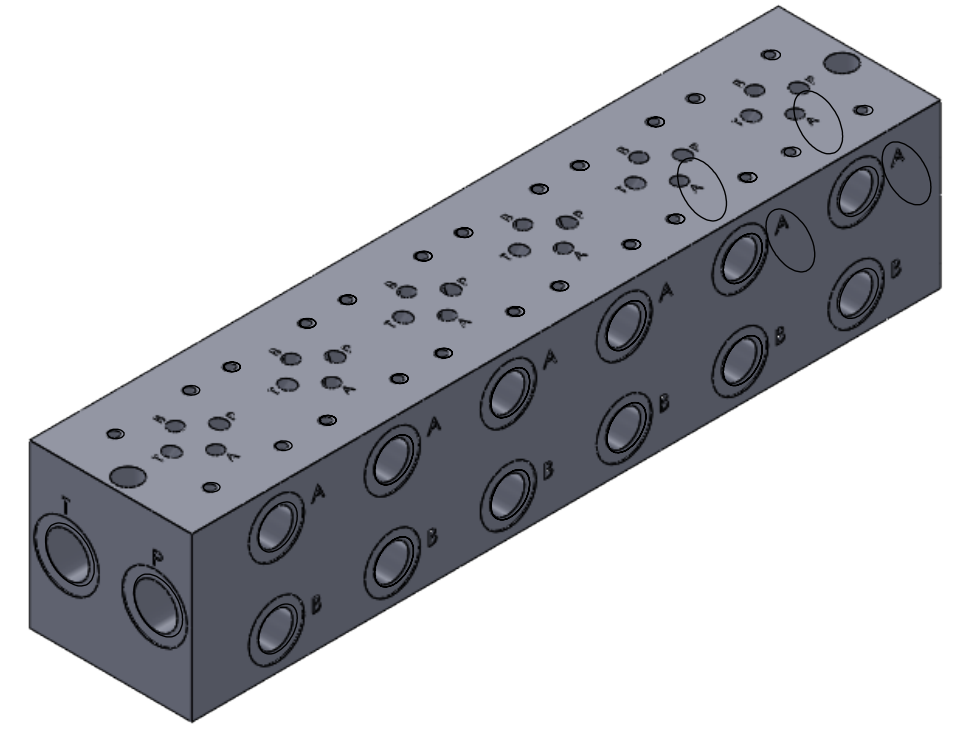
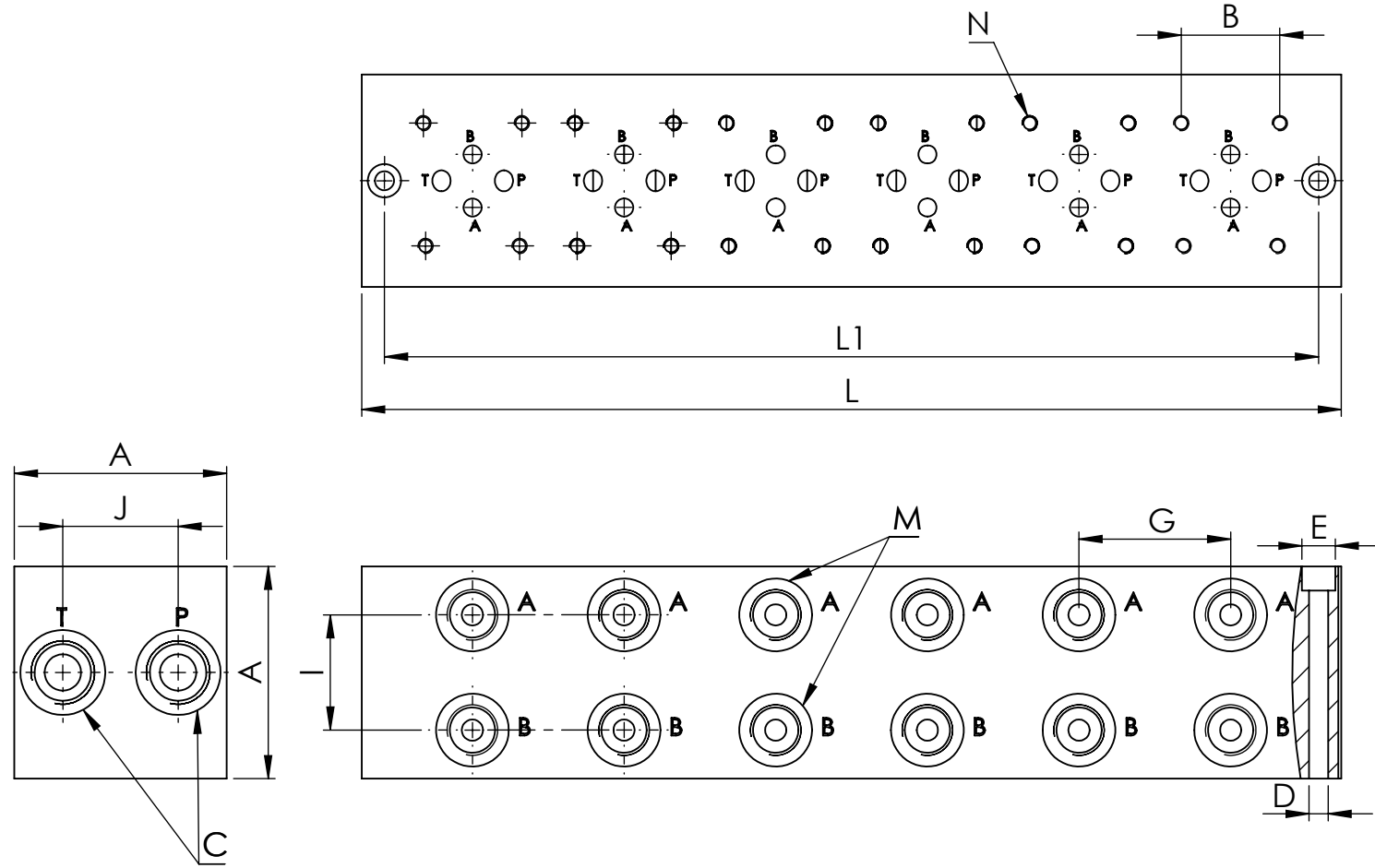
REVISION DATE:



SCALE: 1:1,5  
UNITS: mm  
**A3**



Sanayi Mah. İzmit Sanayi Sitesi 13. cad. İç Kapı No:54  
İzmit/Kocaeli-TURKEY  
Tel: +90 262 335 63 66 Fax: +90 262 335 63 70  
www.hydropack.com.tr / info@hydropack.com.tr



TEKNİK ÖZELLİKLER  
Technical specifications

KOD (code)	İSTASYON (station)	Ölçüler-mm (Dimensions)-mm											
		A	B	C	D	E	G	I	J	L	L1	M	N
NG6-P1	1	70	32.5	G1/2-14	6.5	11	50	38	38	73	58	G3/8-19	M5
NG6-P2	2	70	32.5	G1/2-14	6.5	11	50	38	38	123	108	G3/8-19	M5
NG6-P3	3	70	32.5	G1/2-14	6.5	11	50	38	38	173	158	G3/8-19	M5
NG6-P4	4	70	32.5	G1/2-14	6.5	11	50	38	38	223	208	G3/8-19	M5
NG6-P5	5	70	32.5	G1/2-14	6.5	11	50	38	38	273	258	G3/8-19	M5
NG6-P6	6	70	32.5	G1/2-14	6.5	11	50	38	38	323	308	G3/8-19	M5

NOT:

ÇİZEN: M.Altunçipek

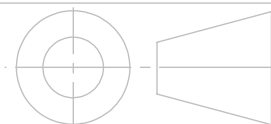
AÇIKLAMA:

ONAY: G.Yalvaç

REVİZYON:

TARİH:

REVİZYON TARİHİ:



ÖLÇEK:

BİRİMLER: mm

**A3**

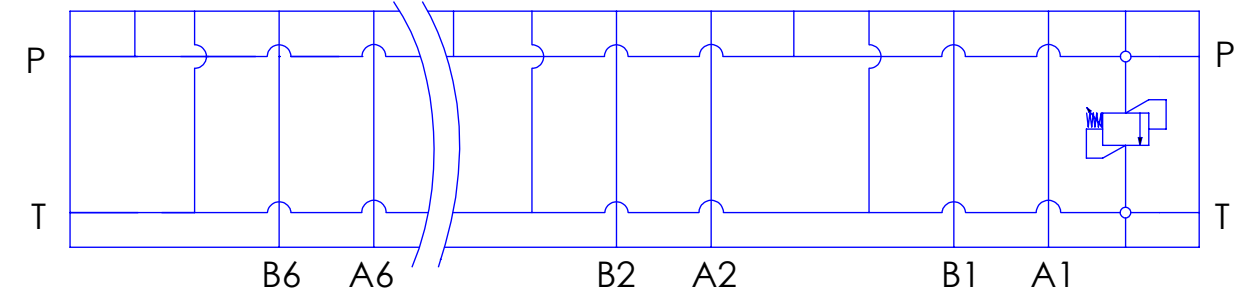
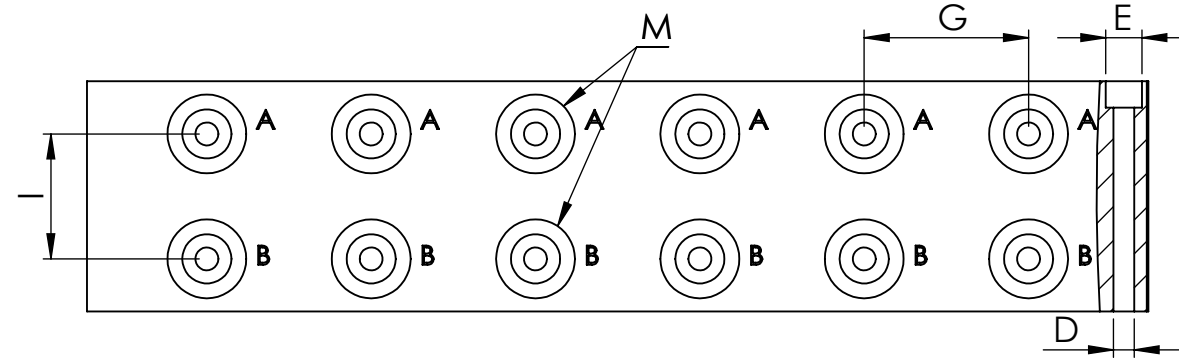
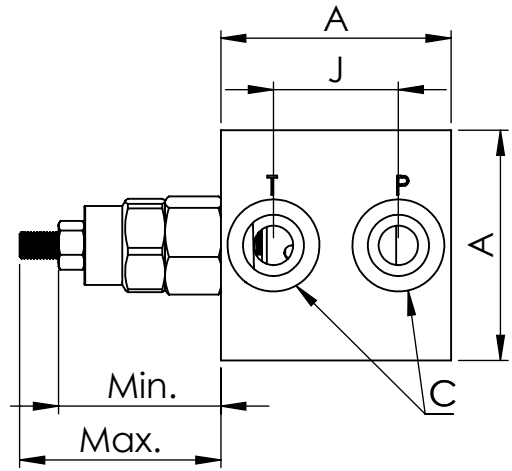
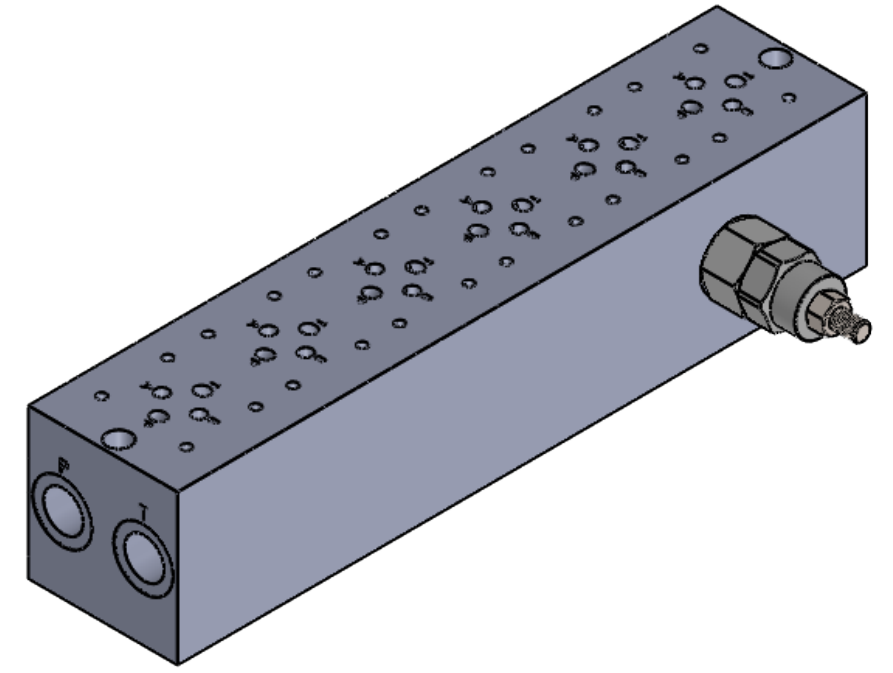
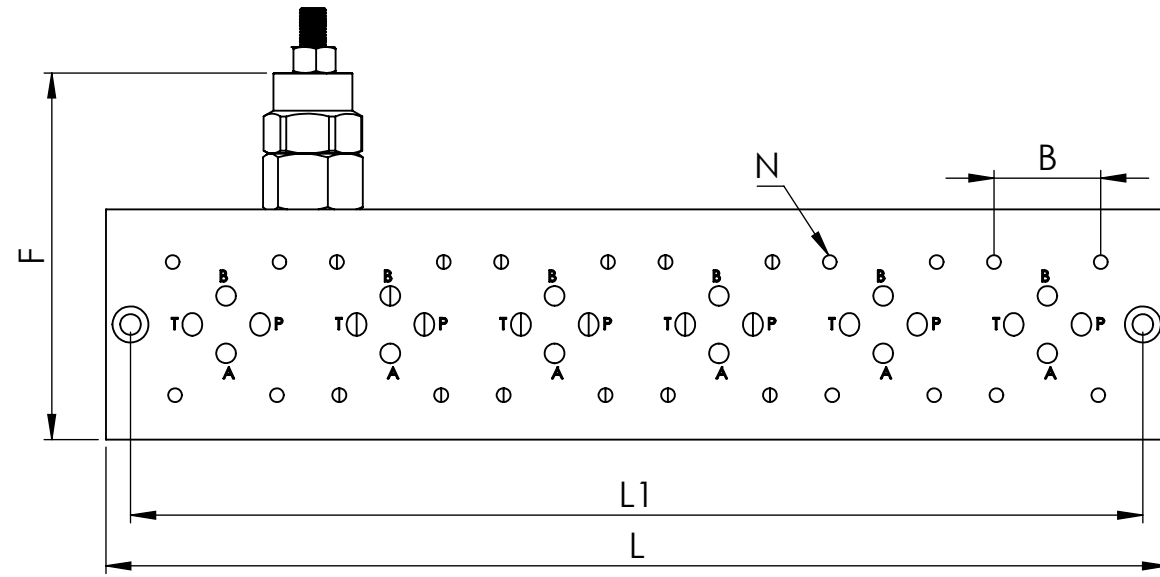


Sanayi Mah. İzmit Sanayi Sitesi 13. cad. İç Kapı No:54

İzmit/Kocaeli-TURKEY

Tel: +90 262 335 63 66 Fax: +90 262 335 63 70

www.hydropack.com.tr / info@hydropack.com.tr



TEKNİK ÖZELLİKLER  
Technical specification

KOD (code)	KAVİTE (cavity)	MAKSİMUM BASINÇ (MAX. PRESSURE) (bar)	İSTASYON (station)	Ölçüler-mm (Dimensions)-mm														
				A	B	C	D	E	F	G	H Max	H Min	I	J	L	L1	M	N
NG6-P2-RV	10	250	2	70	32.5	G1/2-14	6.5	11	111	50	56	49	38	38	123	108	G3/8-19	M5
NG6-P3-RV	10	250	3	70	32.5	G1/2-14	6.5	11	111	50	56	49	38	38	173	158	G3/8-19	M5
NG6-P4-RV	10	250	4	70	32.5	G1/2-14	6.5	11	111	50	56	49	38	38	223	208	G3/8-19	M5
NG6-P5-RV	10	250	5	70	32.5	G1/2-14	6.5	11	111	50	56	49	38	38	273	258	G3/8-19	M5
NG6-P6-RV	10	250	6	70	32.5	G1/2-14	6.5	11	111	50	56	49	38	38	323	308	G3/8-19	M5

NOT:

ÇİZEN: M.Altunççek

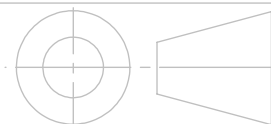
AÇIKLAMA:

ONAY: G.Yalvaç

REVİZYON:

TARİH:

REVİZYON TARİHİ:



ÖLÇEK:

BİRİMLER: mm

**A3**



Sanayi Mah. İzmit Sanayi Sitesi 13. cad. İç Kapı No:54

İzmit/Kocaeli-TURKEY

Tel: +90 262 335 63 66 Fax: +90 262 335 63 70

www.hydropack.com.tr / info@hydropack.com.tr