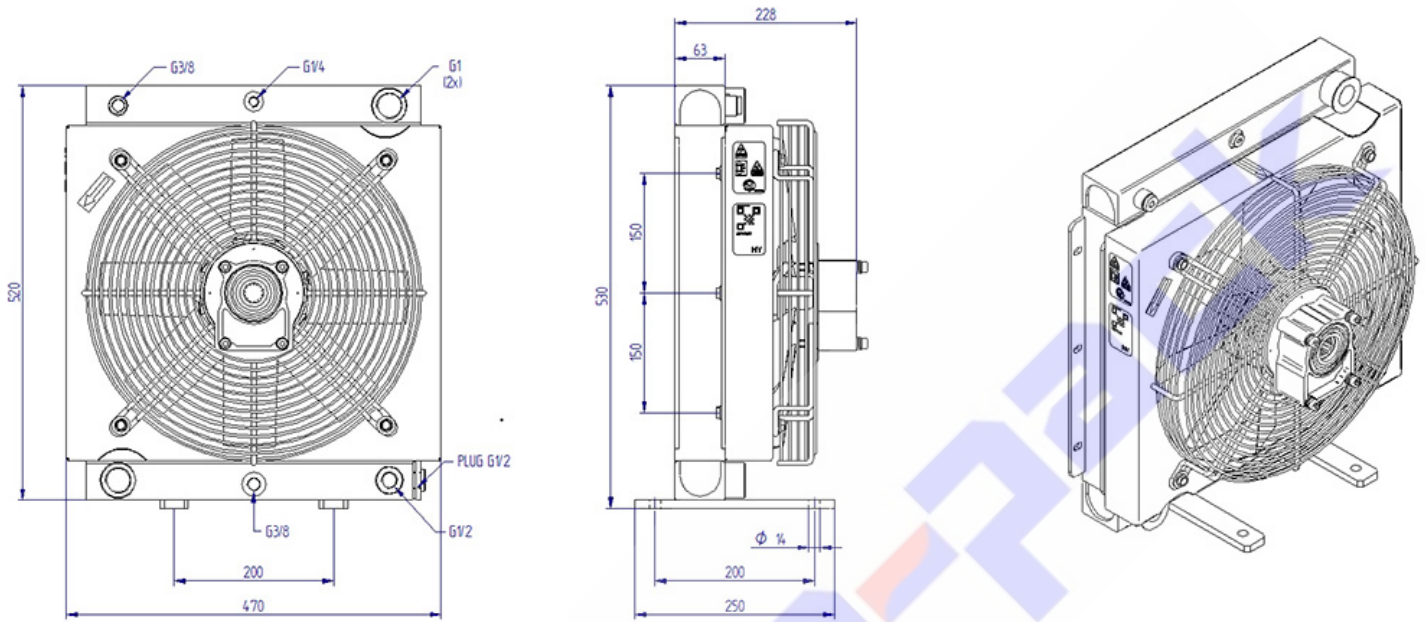


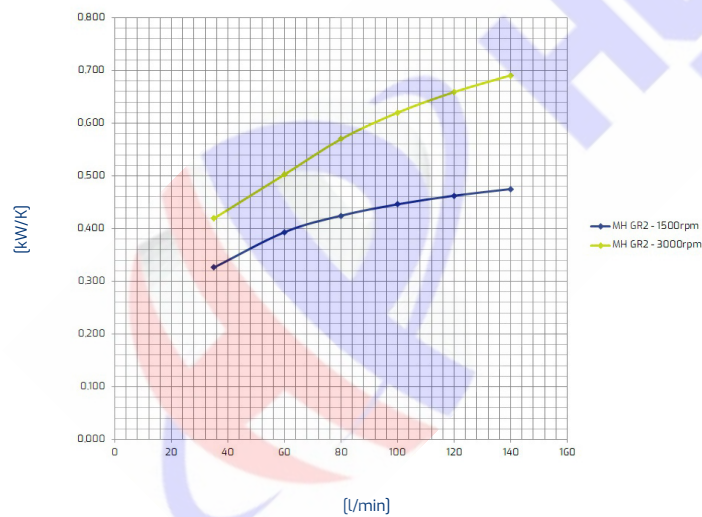
HY series  
HY21005



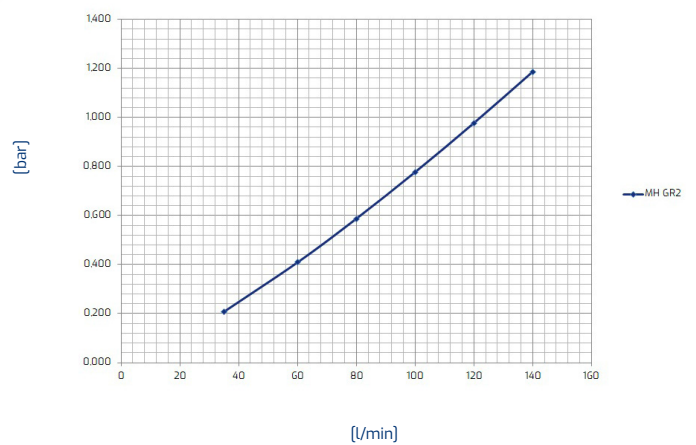
Technical data

Item	Oil flow [l/min]	Capacity [l]	Weight [kg]	Rpm	Voltage [V]	Frequency [Hz]	Current absorption [A]	Ø Fan [mm]	Air flow [m³/h]	Noise level [db(A)]
HY21005	35-140	3.3	20.5	1500				390	2554	78
HY21005	35-140	3.3	20.5	3000				390	5402	92.5

Performance



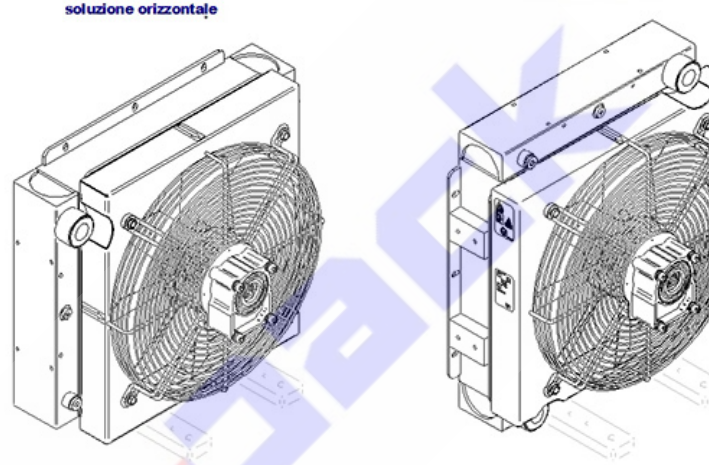
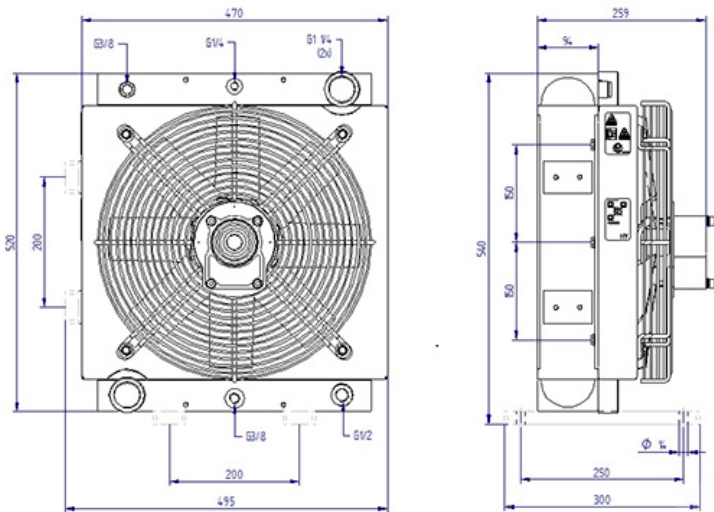
Pressure drop



Oil T 80°C  
T Amb. 40°C

Viscosity - ISO VG 32 Oil					
Oil	22	32	46	68	150
Correction factor	0.8	1	1.2	1.6	3

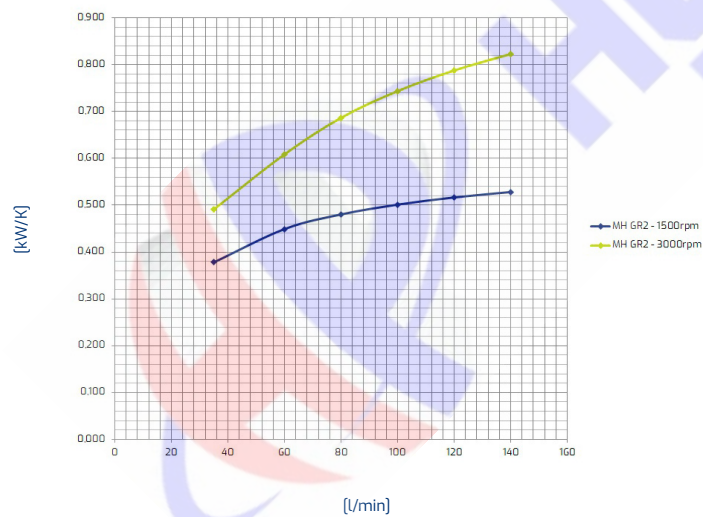
HY series  
HY21505



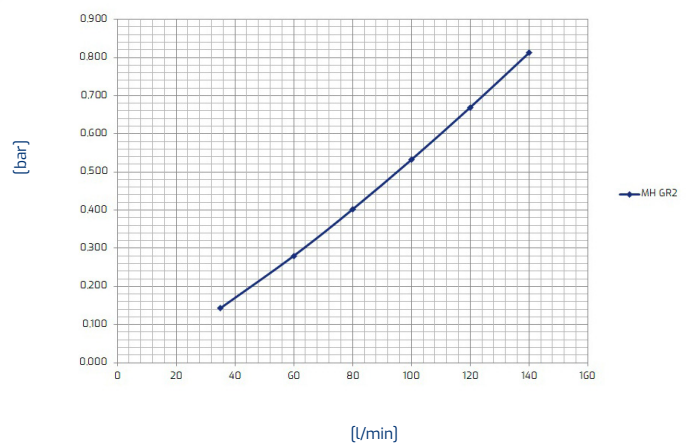
Technical data

Item	Oil flow [l/min]	Capacity [l]	Weight [kg]	Rpm	Voltage [V]	Frequency [Hz]	Current absorption [A]	Ø Fan [mm]	Air flow [m³/h]	Noise level [db(A)]
HY21505	35-140	5.3	26	1500				390	2281	79,1
HY21505	35-140	5.3	26	3000				390	4860	92,5

Performance



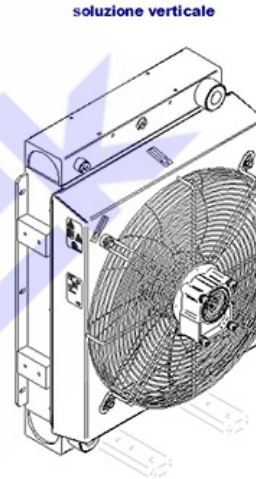
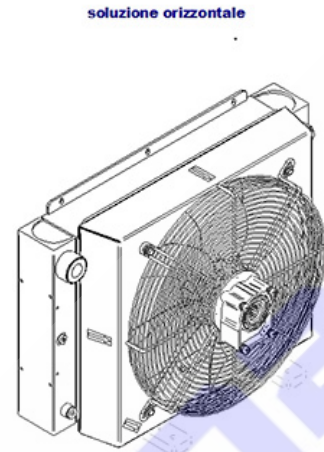
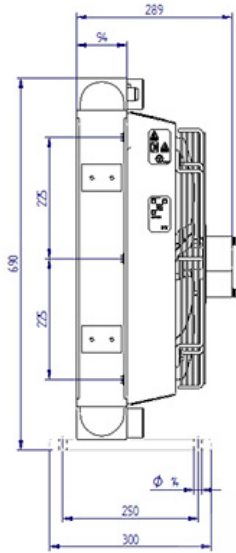
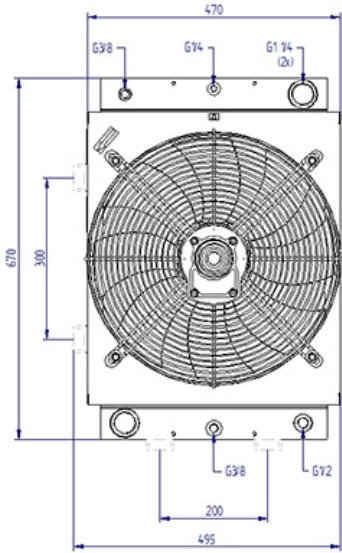
Pressure drop



Oil T 80°C  
T Amb. 40°C

Viscosity - ISO VG 32 Oil					
Oil	22	32	46	68	150
Correction factor	0,8	1	1,2	1,6	3

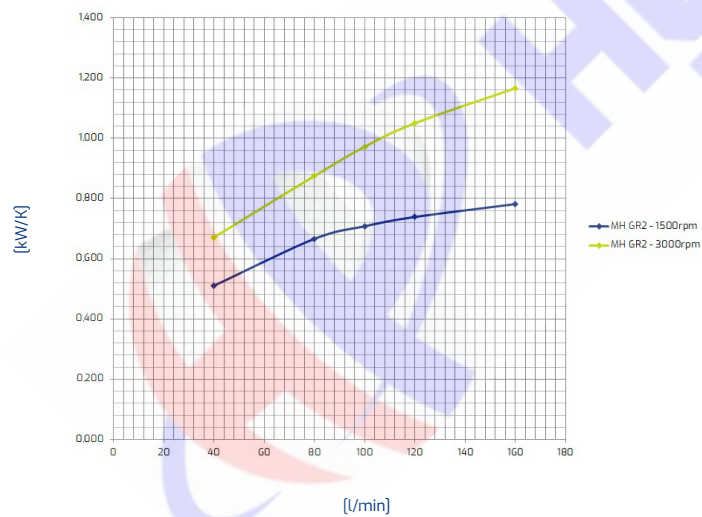
HY series  
HY22005



Technical data

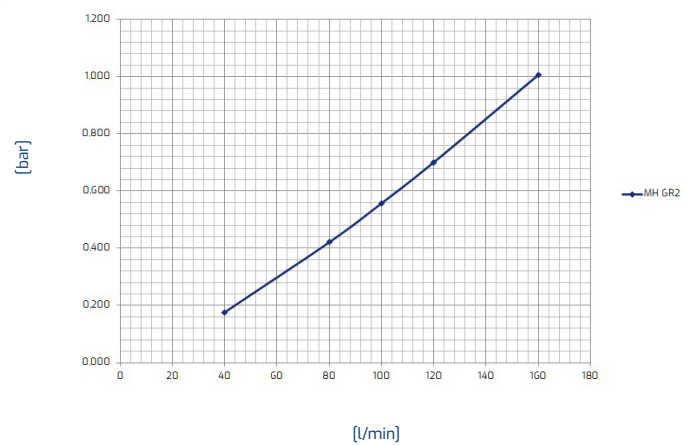
Item	Oil flow [l/min]	Capacity [l]	Weight [kg]	Rpm	Voltage [V]	Frequency [Hz]	Current absorption [A]	Ø Fan [mm]	Air flow [m³/h]	Noise level [db(A)]
HY22005	40-160	6,8	34	1500				450	3778	84,4
HY22005	40-160	6,8	34	3000				450	8461	102

Performance



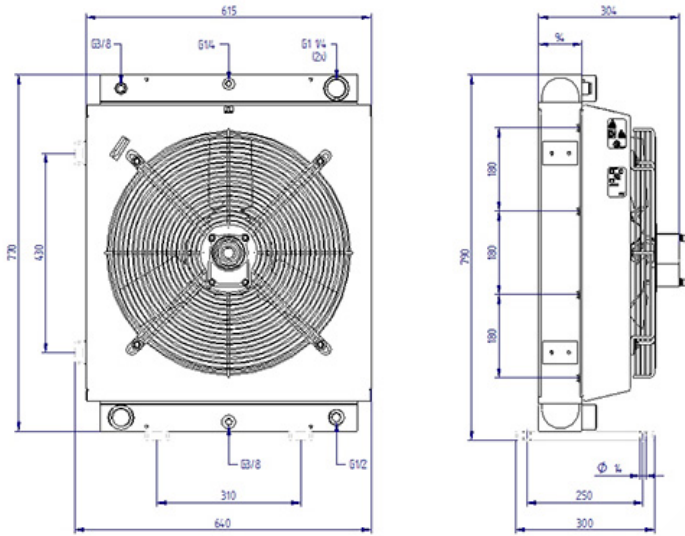
Oil T 80°C  
T Amb. 40°C

Pressure drop



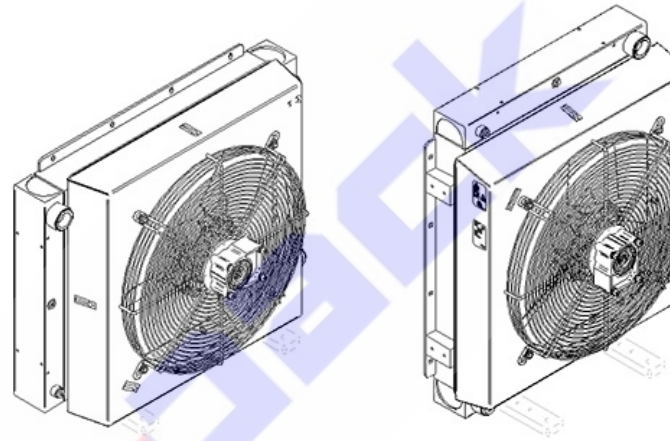
Viscosity - ISO VG 32 Oil					
Oil	22	32	46	68	150
Correction factor	0,8	1	1,2	1,6	3

HY series  
HY22505



soluzione orizzontale

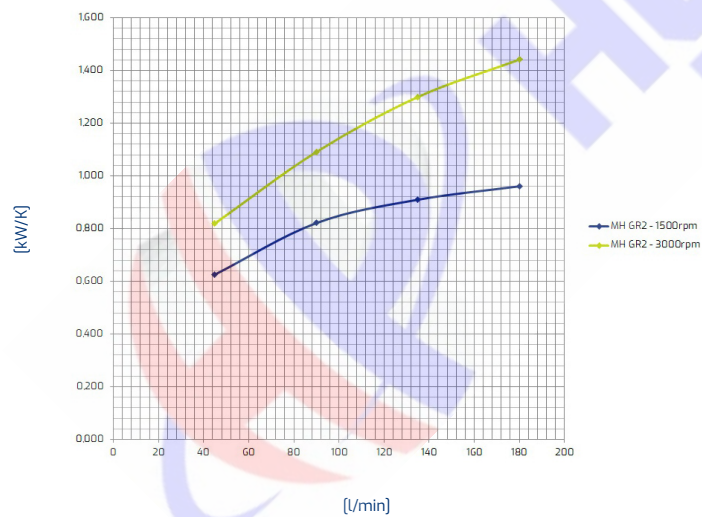
soluzione verticale



Technical data

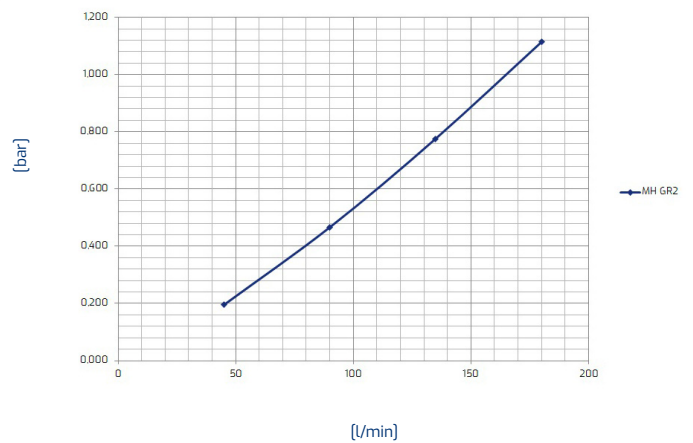
Item	Oil flow [l/min]	Capacity [l]	Weight [kg]	Rpm	Voltage [V]	Frequency [Hz]	Current absorption [A]	Ø Fan [mm]	Air flow [m³/h]	Noise level [db(A)]
HY22505	45-180	10	46	1500				500	4566	78
HY22505	45-180	10	46	3000				500	9641	94

Performance



Oil T 80°C  
T Amb. 40°C

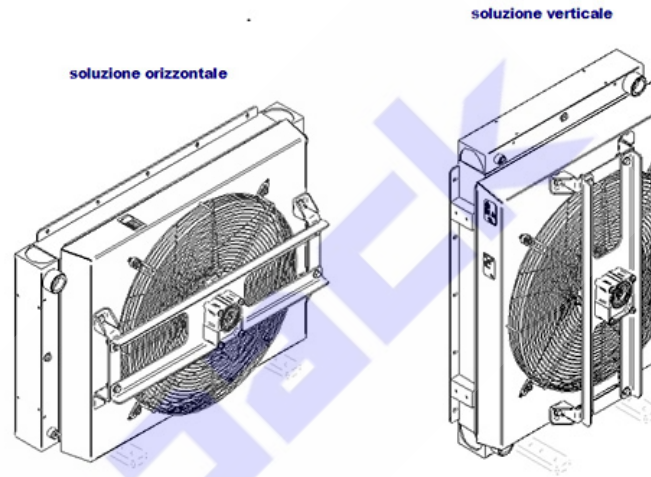
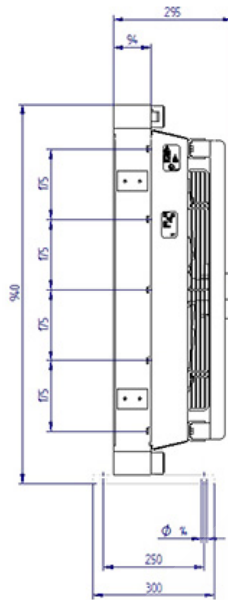
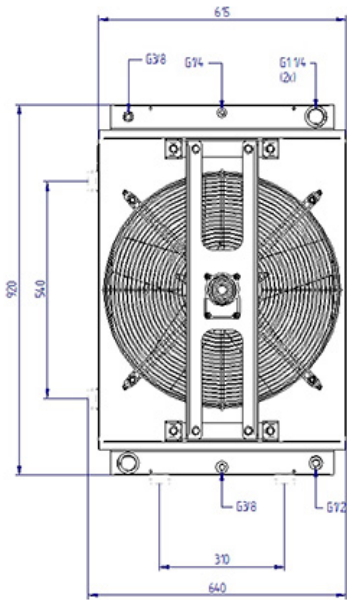
Pressure drop



Viscosity - ISO VG 32 Oil

Oil	22	32	46	68	150
Correction factor	0,8	1	1,2	1,6	3

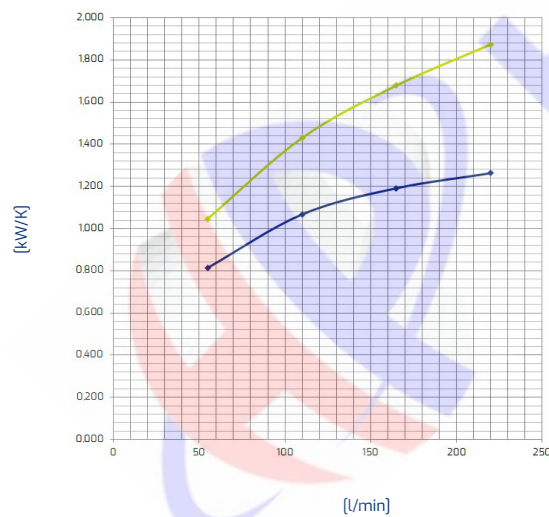
HY series  
HY23005



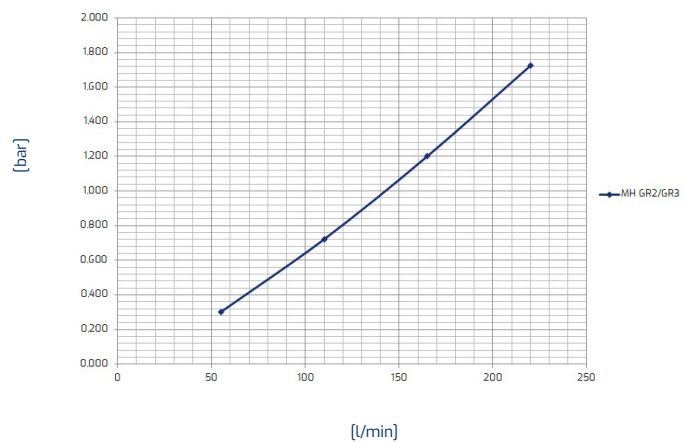
Technical data

Item	Oil flow [l/min]	Capacity [l]	Weight [kg]	Rpm	Voltage [V]	Frequency [Hz]	Current absorption [A]	Ø Fan [mm]	Air flow [m³/h]	Noise level [db(A)]
HY23005	55-220	11.5	55	1500				560	6264	80
HY23005	55-220	11.5	55	3000				560	13151	95

Performance



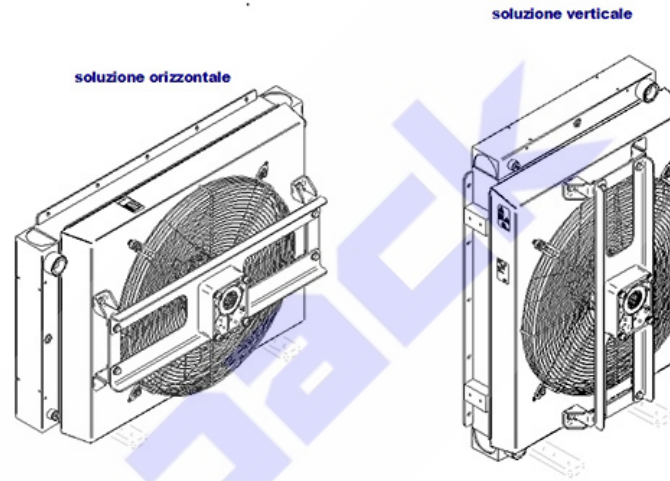
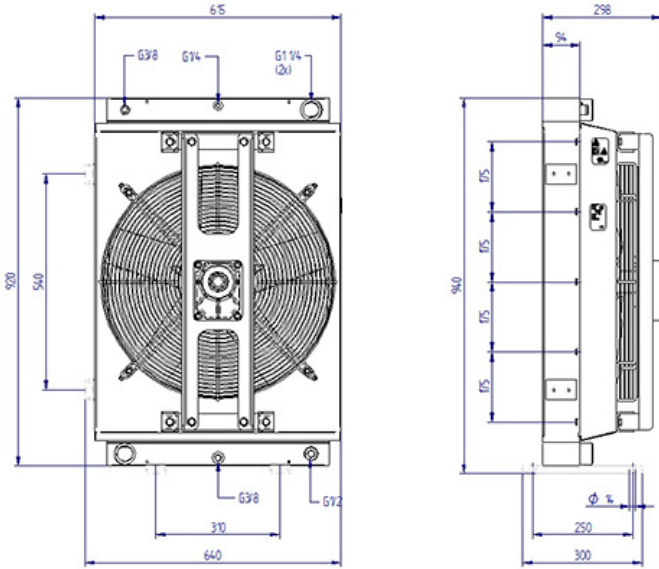
Pressure drop



Oil T 80°C  
T Amb. 40°C

Viscosity - ISO VG 32 Oil					
Oil	22	32	46	68	150
Correction factor	0,8	1	1,2	1,6	3

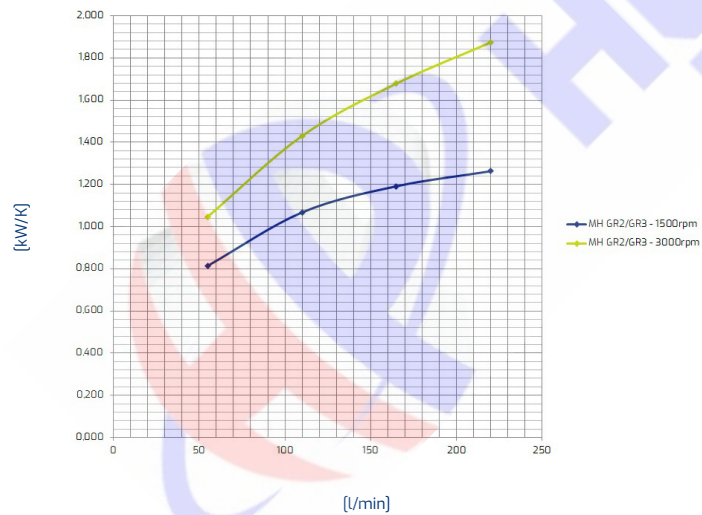
HY series  
HY23006



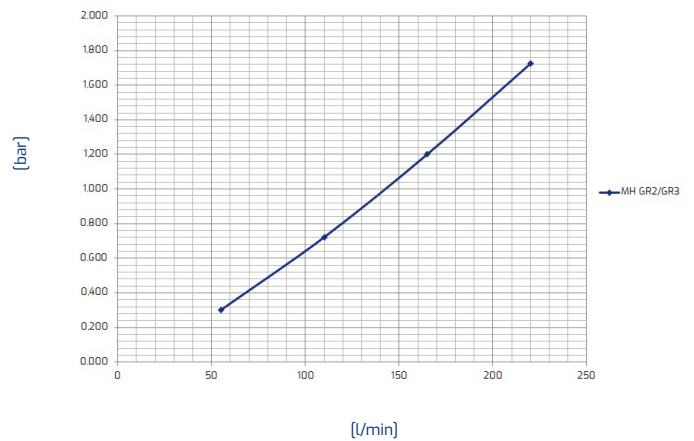
Technical data

Item	Oil flow [l/min]	Capacity [l]	Weight [kg]	Rpm	Voltage [V]	Frequency [Hz]	Current absorption [A]	Ø Fan [mm]	Air flow [m³/h]	Noise level [db(A)]
HY23006	55-220	11.5	55	1500				560	6264	80
HY23006	55-220	11.5	55	3000				560	13151	95

Performance



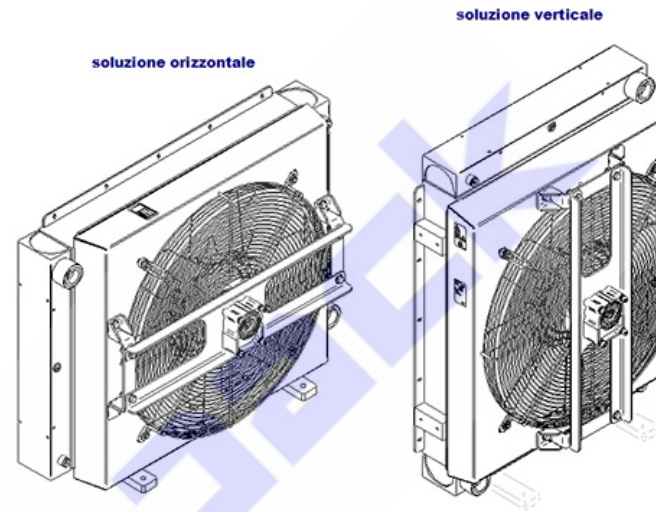
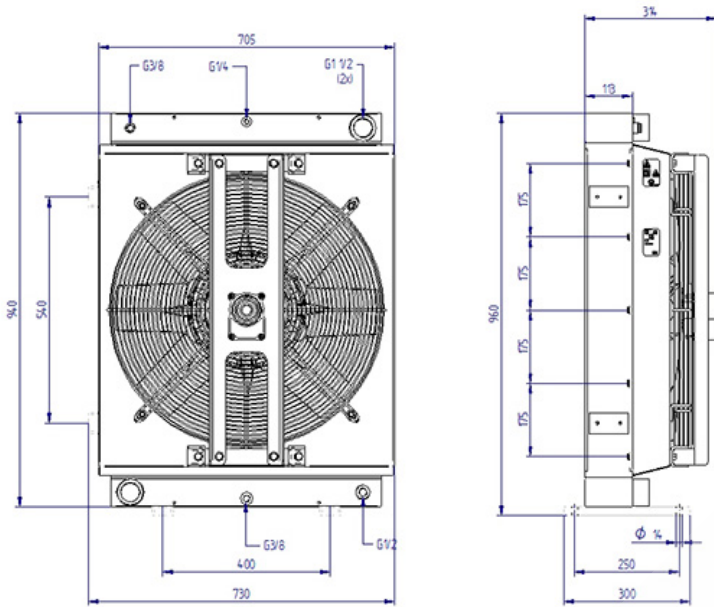
Pressure drop



Oil T 80°C  
T Amb. 40°C

Viscosity - ISO VG 32 Oil					
Oil	22	32	46	68	150
Correction factor	0,8	1	1,2	1,6	3

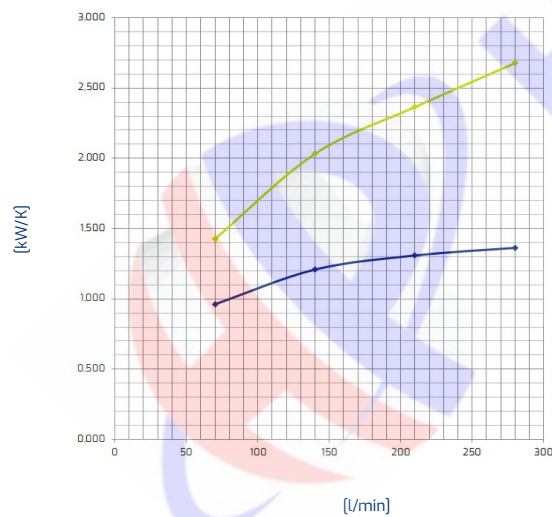
HY series  
HY23205



Technical data

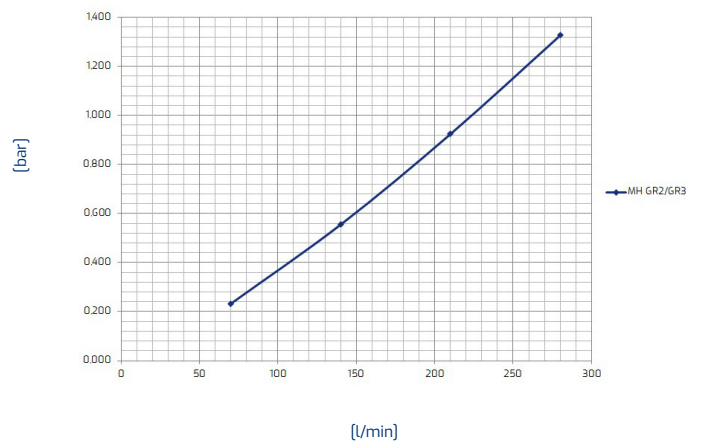
Item	Oil flow [l/min]	Capacity [l]	Weight [kg]	Rpm	Voltage [V]	Frequency [Hz]	Current absorption [A]	Ø Fan [mm]	Air flow [m³/h]	Noise level [db(A)]
HY23205	70-280	16,8	77	1000				630	5893	81
HY23205	70-280	16,8	77	3000				630	19433	105

Performance



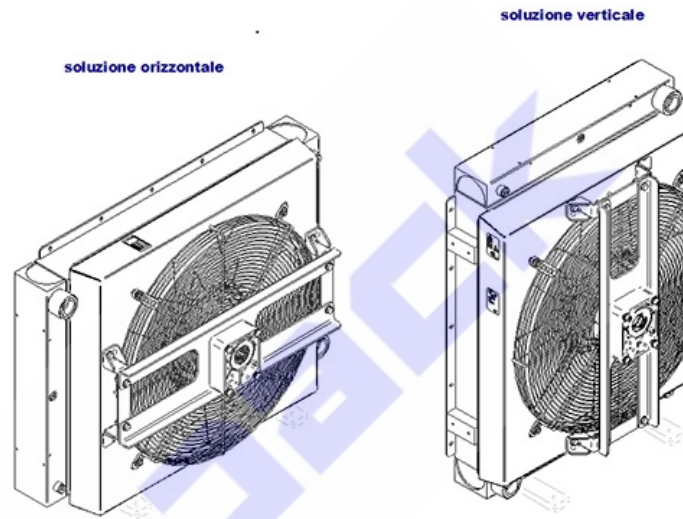
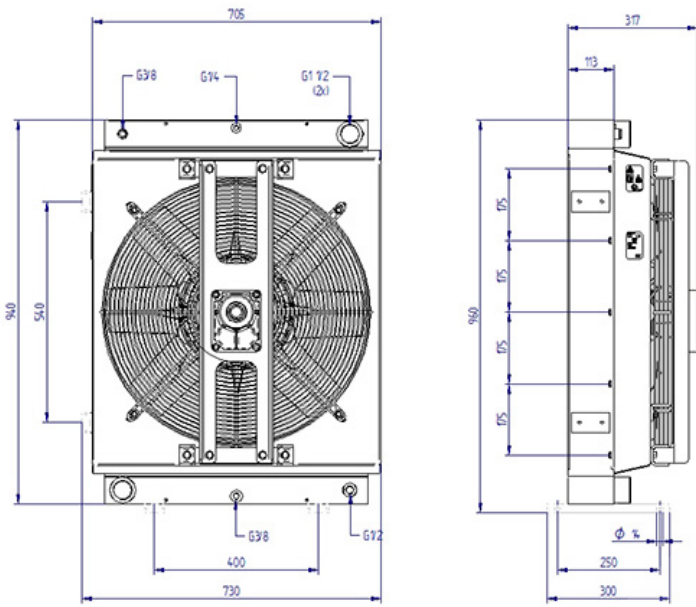
Oil T 80°C  
T Amb. 40°C

Pressure drop



Viscosity - ISO VG 32 Oil					
Oil	22	32	46	68	150
Correction factor	0,8	1	1,2	1,6	3

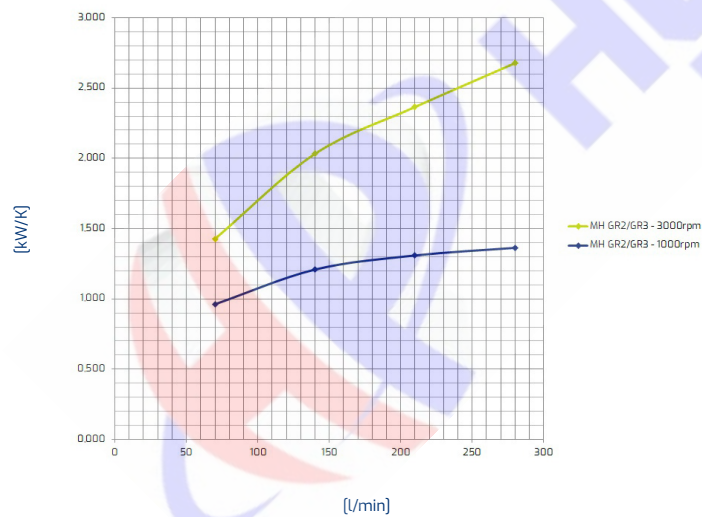
HY series  
HY23206



Technical data

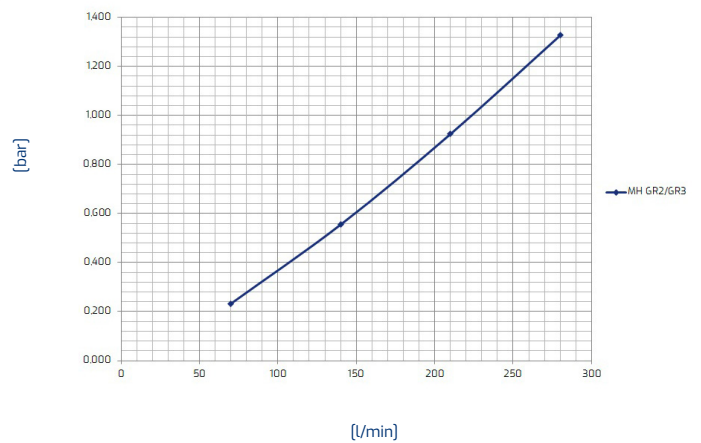
Item	Oil flow [l/min]	Capacity [l]	Weight [kg]	Rpm	Voltage [V]	Frequency [Hz]	Current absorption [A]	Ø Fan [mm]	Air flow [m³/h]	Noise level [db(A)]
HY23206	70-280	16.8	77	1000				630	5893	81
HY23206	70-280	16.8	77	3000				630	19433	105

Performance



Oil T 80°C  
T Amb. 40°C

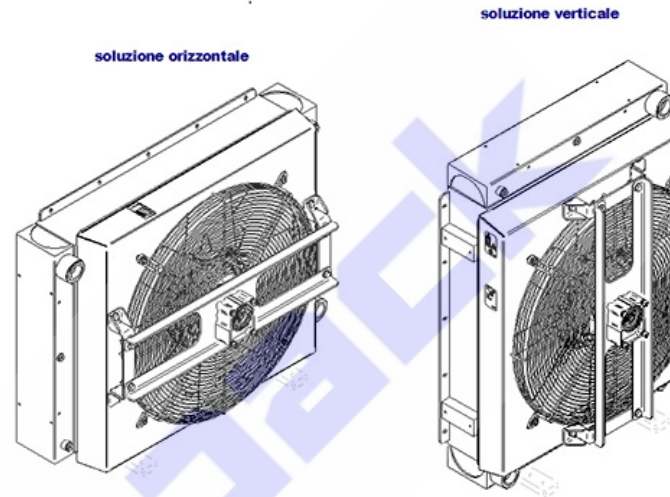
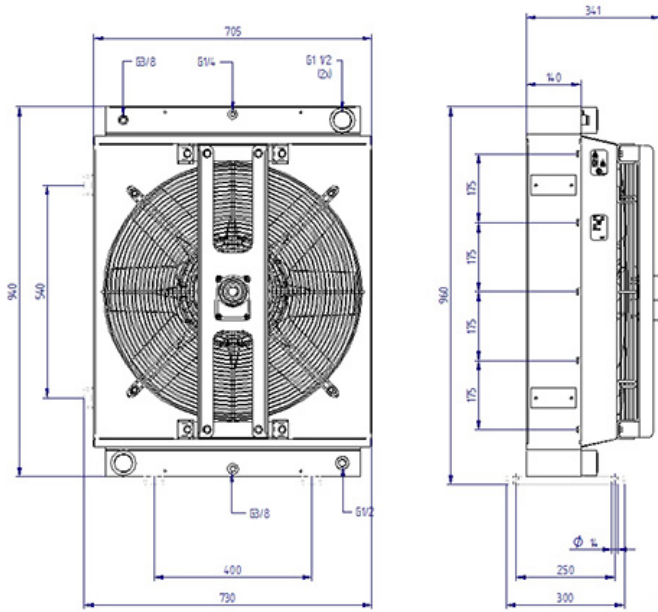
Pressure drop



Viscosity - ISO VG 32 Oil					
Oil	22	32	46	68	150
Correction factor	0.8	1	1.2	1.6	3



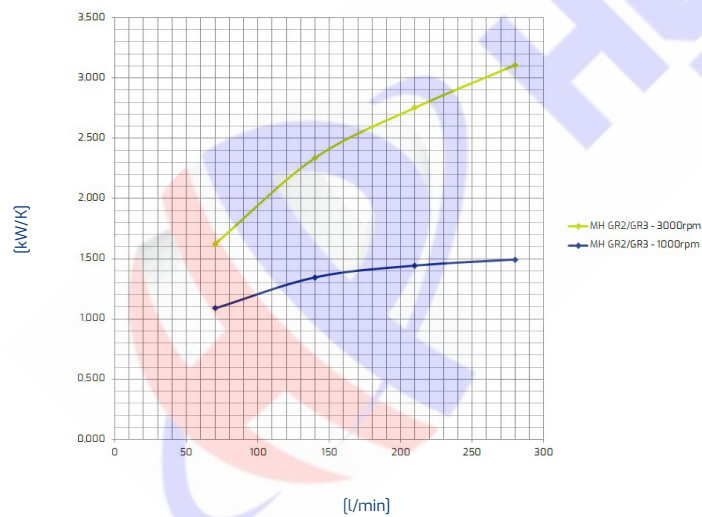
HY series  
HY23505



Technical data

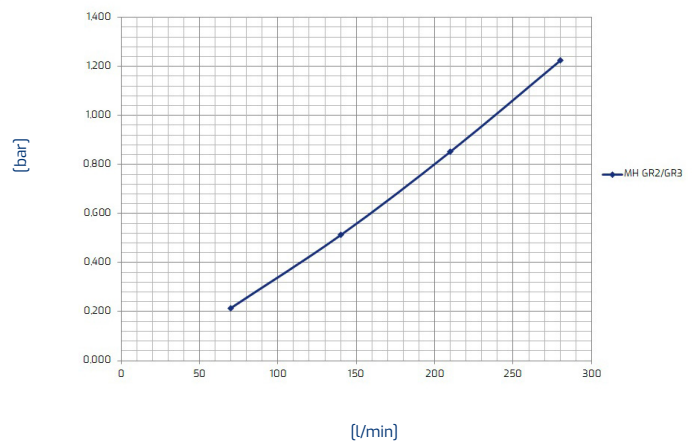
Item	Oil flow [l/min]	Capacity [l]	Weight [kg]	Rpm	Voltage [V]	Frequency [Hz]	Current absorption [A]	Ø Fan [mm]	Air flow [m³/h]	Noise level [db(A)]
HY23505	70-280	20.2	89	1000				630	5232	81
HY23505	70-280	20.2	89	3000				630	17500	105

Performance



Oil T 80°C  
T Amb. 40°C

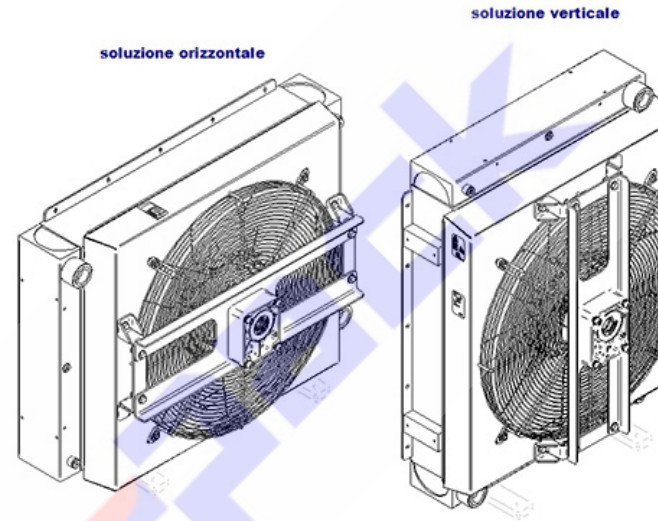
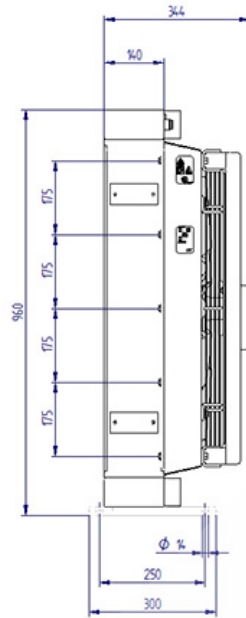
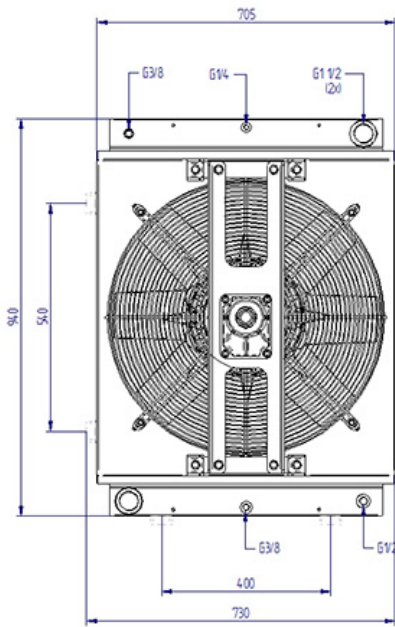
Pressure drop



Viscosity - ISO VG 32 Oil

Oil	22	32	46	68	150
Correction factor	0.8	1	1.2	1.6	3

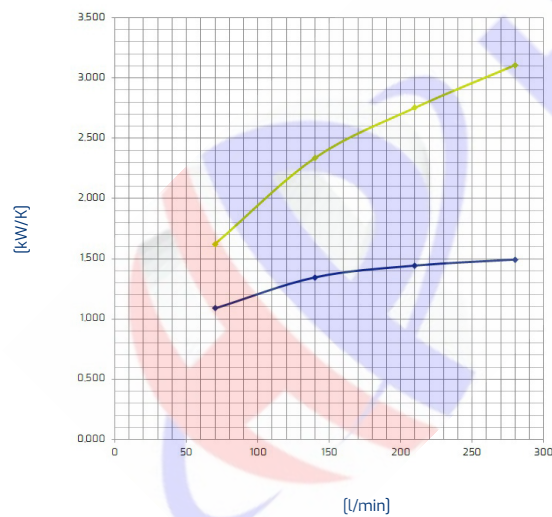
HY series  
HY23506



Technical data

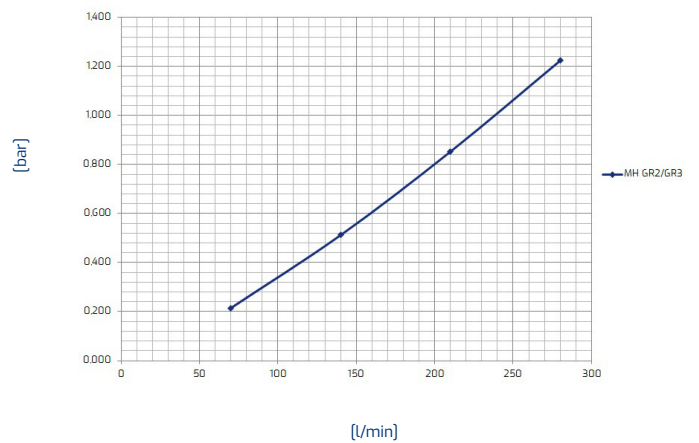
Item	Oil flow [l/min]	Capacity [l]	Weight [kg]	Rpm	Voltage [V]	Frequency [Hz]	Current absorption [A]	Ø Fan [mm]	Air flow [m³/h]	Noise level [db(A)]
HY23506	70-280	20,2	89	1000				630	5232	81
HY23506	70-280	20,2	89	3000				630	17500	105

Performance



Oil T 80°C  
T Amb. 40°C

Pressure drop



Viscosity - ISO VG 32 Oil					
Oil	22	32	46	68	150
Correction factor	0,8	1	1,2	1,6	3