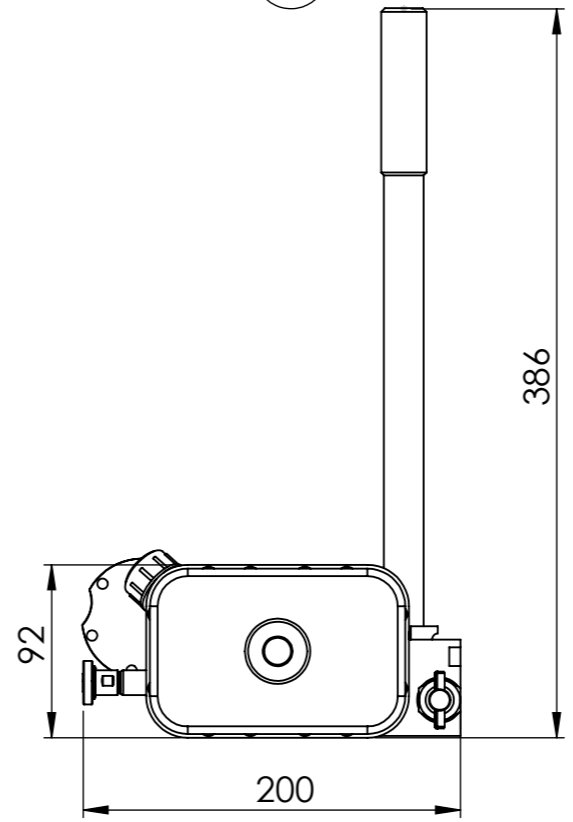
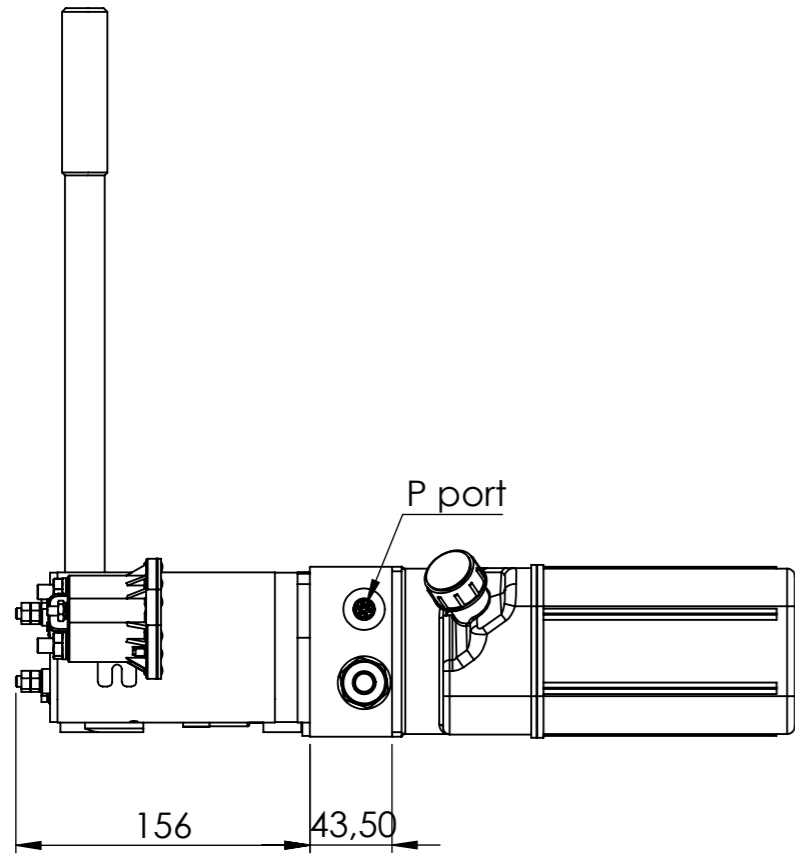
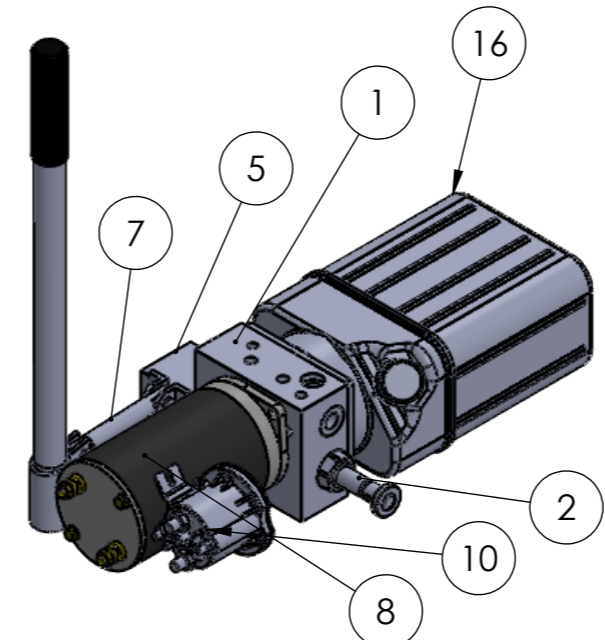
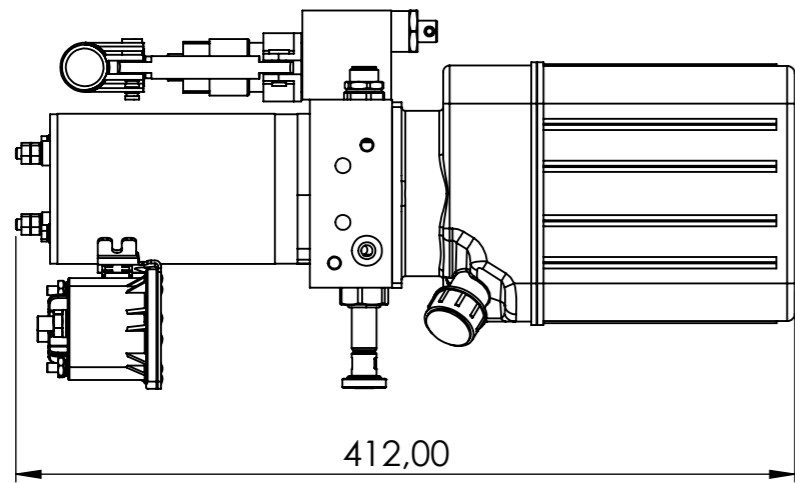
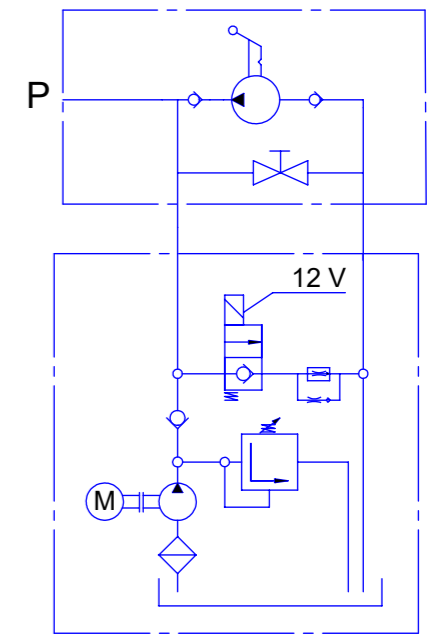



PART NO.	PART NAME	QTY.
1	HPB-003	1
2	P-NC-12	1
5	Hand Pump Block	1
7	Hand Pump	1
8	DC12/24V-0.8-3500	1
9	00C0.5X047	1
10	Starter	1
13	SP-90-1 liter	1
14	Filter	1
16	Plastic Tank	1
17	HPSP-100	1



Hydraulic Circuit
P = G 1/4"



NOTES			MASS	DESIGNED BY	G.Yalvaç
ELECTRIC MOTOR	PUMP	OIL TANK	MAX PRESSURE	CHECKED BY	H.Tarhan
POWER 0.8 kW	DISPLACEMENT 0.5cc/rev	CAPACITY 1.5 Liter	220bar	DATE	21.11.2019
VOLTAGE 12/24V		TYPE Square		REVISION	
SPEED 3500rpm		ASSEMBLY Horizontal		REVISION DATE	
FREQUENCY		MATERIAL Plastic			



Sanayi Mah. İzmit Sanayi Sitesi 13. cad. İç Kapı No:54
İzmit/Kocaeli-TURKEY
Tel: +90 262 335 63 66 Fax: +90 262 335 63 70
www.hydropack.com.tr / info@hydropack.com.tr

DESCRIPTION
MINI POWERPACK

SCALE: 1:4
DIMENSIONS: mm
A3