



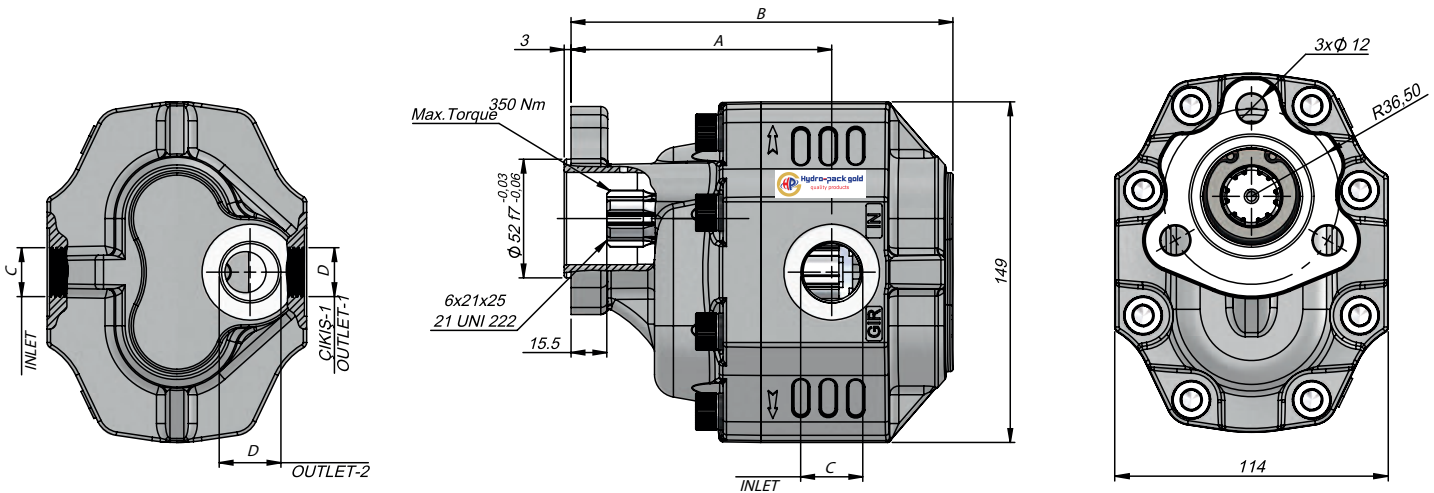
# TECHNICAL DATA

## 3 BOLT BI-DIRECTIONAL GEAR PUMP

Inlet Pressure		0.7÷ 1.5 bar	
Operating Viscosity Range		-12:100 cSt	
Fluid Temperature		-10 °C+80 °C	
Working Pressure	Contamination		Filter
	NAS 1638	ISO 4406	$\beta_x=75$
	$\geq 200$ bar	11	20/17
$\leq 200$ bar	12	21/18	40 $\mu$ m



HYDRAULIC SYMBOL



Code	Displacement (cm <sup>3</sup> /rev)	Max.Continuous Pressure (100%)(BAR)	Max.Intermittent Pressure (20 sec.max.)(BAR)	Max.Peak Pressure (6 sec.max.)(BAR)	Max.Continuous Speed (RPM)	Max.Intermittent Speed (RPM)	Min.Speed (RPM)	A (mm)	B (mm)	Inlet C	Outlet C
GP-3B30-17BD	17	300	310	320	2600	3000	300	103.0	150.0	G1/2"	G1/2"
GP-3B30-27BD	27	290	300	310							
GP-3B30-34BD	34	285	295	305							
GP-3B30-43BD	43	280	290	300	2100	2600		114.0	167.0	G3/4"	G3/4"
GP-3B30-51BD	51	230	260	280							
GP-3B30-61BD	61	225	240	260	2000	2100		120.5	180.0	G1"	G1"
GP-3B30-82BD	82	200	210	220							
GP-3B30-100-BD	100	190	200	220							
GP-3B30-125BD	125	170	190	200	1600	1900		138.5	204.0	G1 1/4"	G1 1/4"
							142.5	220.0			