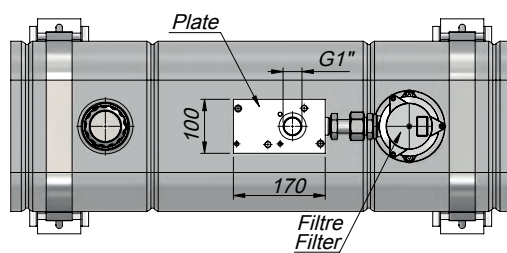
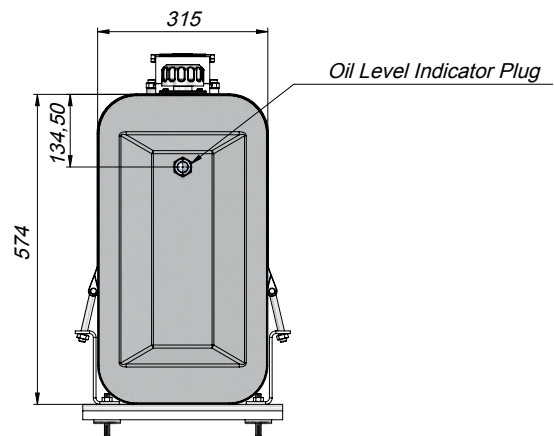
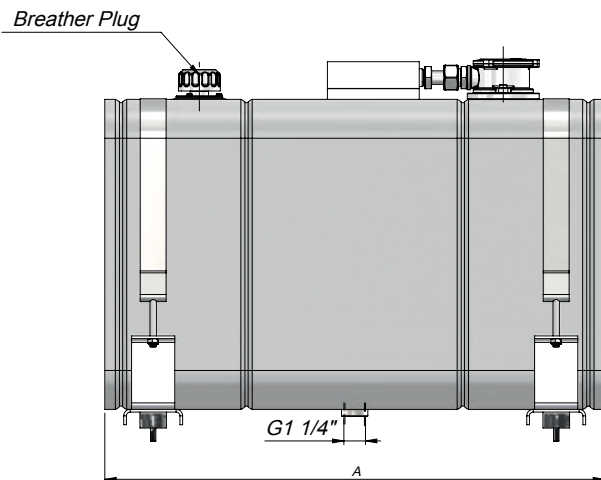
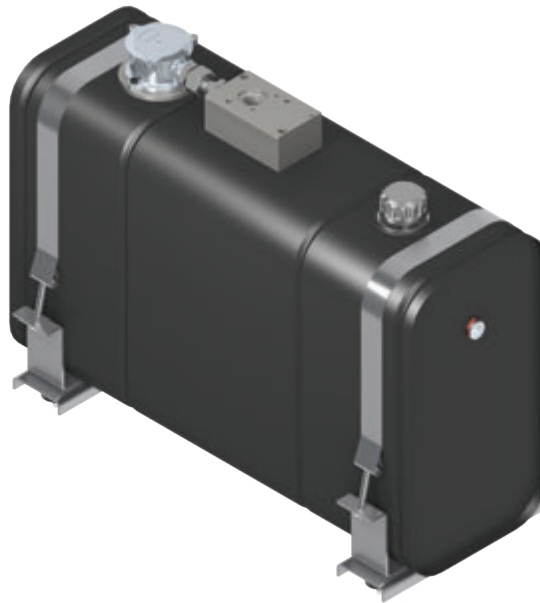


**TECHNICAL DATA**

**STEEL OIL TANK - Behind Cab with filter**



**TECHNICAL DATA**

Code	Capacity (Lt)	A
Tank BC-100	100	650
* Tank BC-120	120	745
* Tank BC-150	150	925
* Tank BC-180	180	1090
* Tank BC-200	200	1200

\*\*Available ex stock