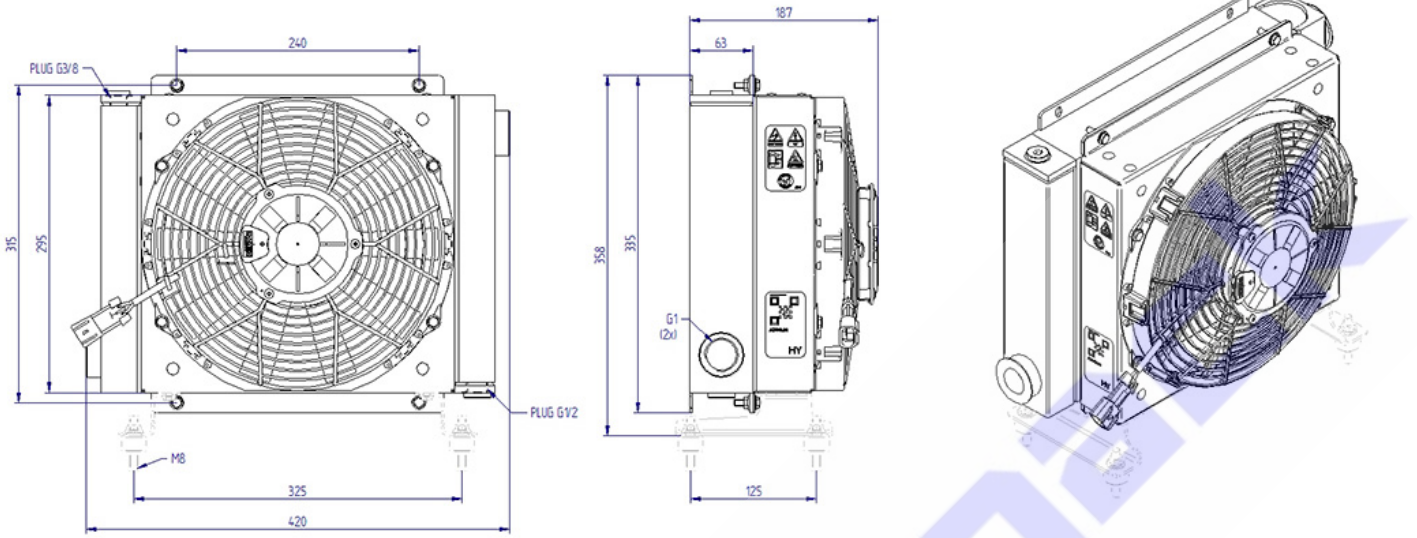
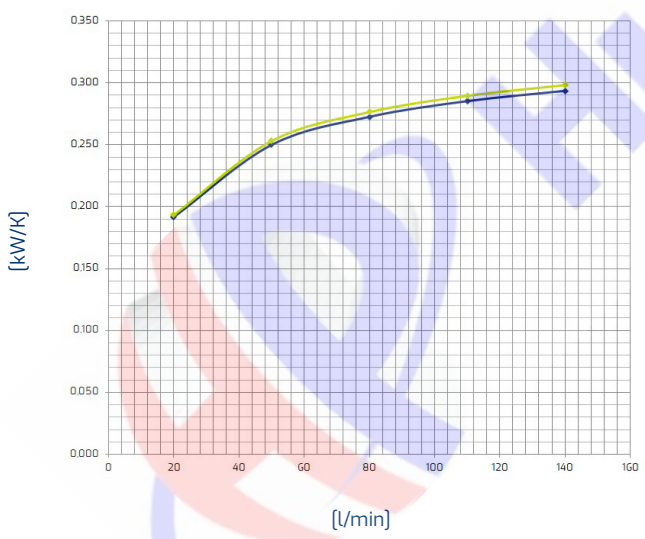
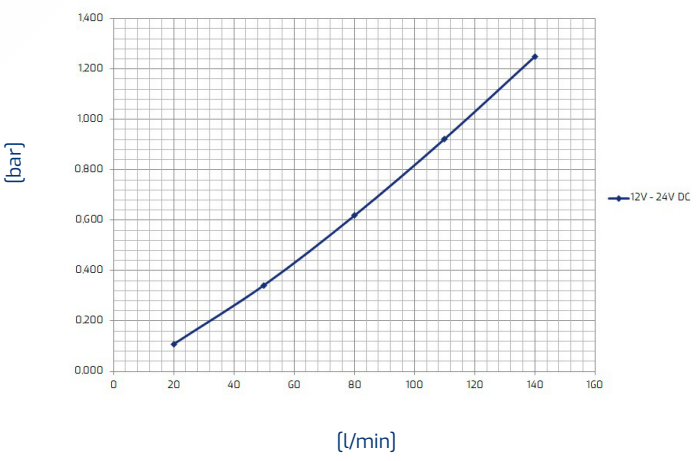


HY series
HY02402 (12V) & HY02404 (24V)

Technical data

Item	Oil flow [l/min]	Capacity [l]	Weight [kg]	Rpm	Voltage [V]	Frequency [Hz]	Current absorption [A]	Power [W]	Ø Fan [mm]	Air flow [m³/h]	Noise level [db(A)]
HY02402	20-140	2	11		12		9,40	120	280	1230	75
HY02404	20-140	2	11		24		4,70	120	280	1235	74

Performance

 Oil T 80°C
 T Amb. 40°C

Pressure drop


Viscosity - ISO VG 32 Oil					
Oil	22	32	46	68	150
Correction factor	0,8	1	1,2	1,6	3