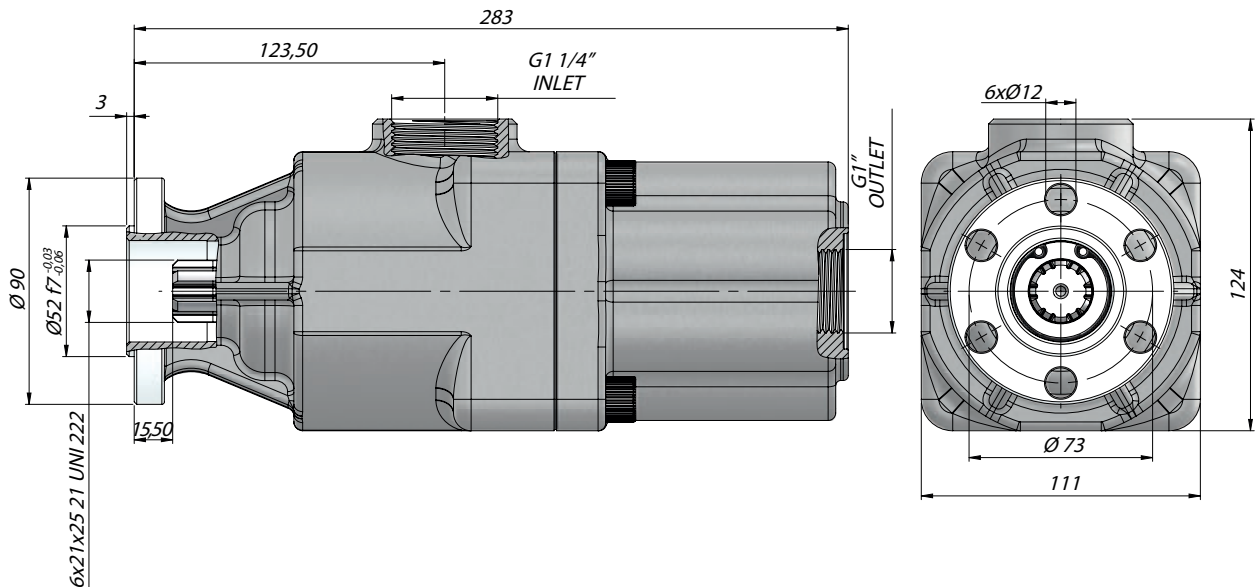


TECHNICAL DATA

3 BOLT 8 PISTON PUMP - 350BAR



HYDRAULIC SYMBOL



PISTON
PUMP

Code	Displacement (cm ³ /rev)	Max.Continuous Pressure (100%)(BAR)	Max.Intermittent Pressure (20 sec.max.)(BAR)	Max.Peak Pressure (6 sec.max.)(BAR)	Max.Continuous Speed (RPM)	Min.Speed (RPM)
	20	350	370	400	1800	300
	26					
	34					
	42					
	46					
PP8-52/350/3B	52	300	320	350	1500	
	55					
PP8-60/300/3B	60					