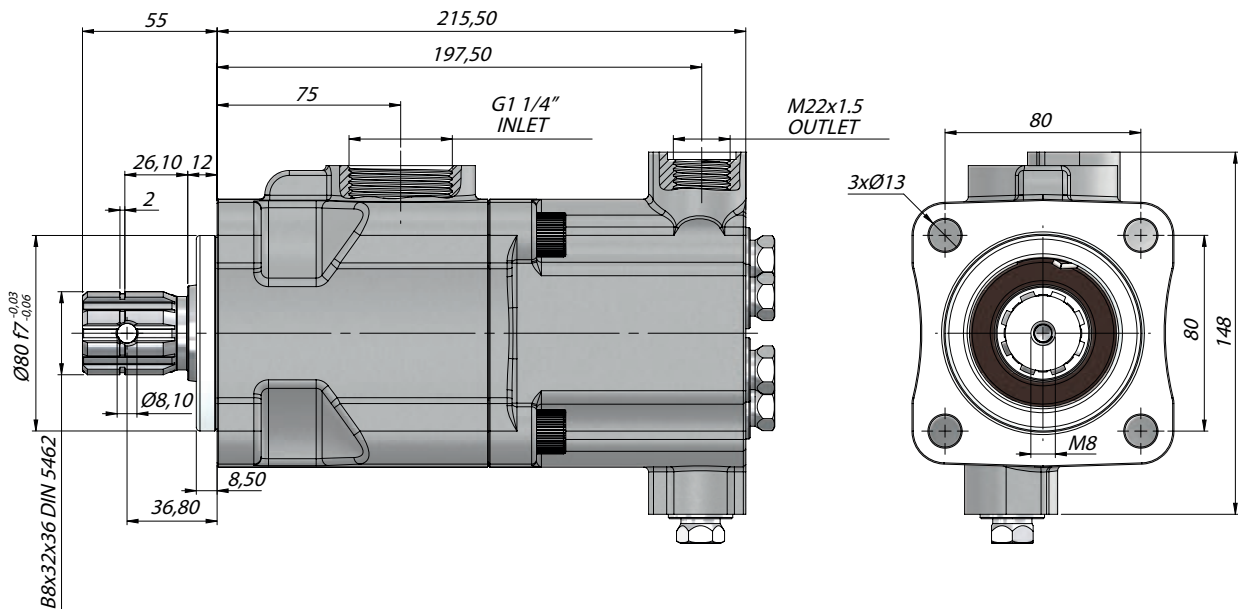




HYDRAULIC SYMBOL



PISTON
PUMP



Code	Displacement (cm ³ /rev)	Max.Continuous Pressure (100%)(BAR)	Max.Intermittent Pressure (20 sec.max.)(BAR)	Max.Peak Pressure (6 sec.max.)(BAR)	Max.Continuous Speed (RPM)	Min.Speed (RPM)
	26	250	270	300	1800	300
	35					
	41					
PP6-ISO52/250	52					