

# Pump Front Bearing



## Contents

General Information.....	4 - 5
Pump Front Bearing Series 25401 / 25601.....	6 - 7
Pump Front Bearing Series 25402 / 25602.....	8 - 9
Pump Front Bearing Series 25403 / 25603.....	10 - 11
Pump Front Bearing Series 25403-1 / 25603-1.....	12 - 13
Pump Front Bearing Series 25404-4 / 25604-4.....	14 - 15
Pump Front Bearing Series 25404-6 / 25604-6.....	16 - 17
Pump Front Bearing Series 25607.....	18 - 19
Pump Front Bearing Series 25608.....	20 - 21
Pump Front Bearing Series 25405 / 25605.....	22 - 23
Pump Front Bearing Series 25406 / 25606.....	24 - 25
Pump Front Bearing Series 25407.....	26 - 27
Pump Front Bearing Series 25408.....	28 - 29
Pump Front Bearing Series 25409.....	30 - 31
Pump Front Bearing Series 25609.....	32 - 33
Flanges for Pump Front Bearing Series 25609.....	34
Pump Front Bearing Series 25610 / 24.....	36 - 37
Pump Front Bearing Series 25610 / 40.....	38 - 39

## General Information

### Pump Front Bearing

Designed for independent drive of hydraulic pumps with chain or belts with high radial loads.

They are directly flanged to the pump and connected with a splined sleeve.

Their rated life is 3500 hours at a speed of 1500 n/min.

Lubrication: grease according to DIN 51502 standards - MPF 1K - 20.

Please contact our Tech. Dpt. for special components with working characteristics not mentioned in this catalogue.

## General Information

### Pump Front Bearing

#### Product Overview

Pump front bearing series	Inlet Pump flange	Outlet centering diam.	Outlet Shaft	Housing
25401	Gr. 1	50,8	tapered 1:8 - 17,5 mm. diam.	Aluminium
25601	Gr. 1	50,8	parallel 18 mm. diam.	Aluminium
25402	Gr. 2	36,5	tapered 1:8 - 17,5 mm. diam.	Aluminium
25602	Gr. 2	36,5	parallel 18 mm. diam.	Aluminium
25403	Gr. 2	50,8	tapered 1:8 - 17,5 mm. diam.	Aluminium
25603	Gr. 2	50,8	parallel 22 mm. diam.	Aluminium
25403-1	Gr. 2	50,8	tapered 1:8 - 17,5 mm. diam.	Aluminium
25603-1	Gr. 2	50,8	parallel 22 mm. diam.	Aluminium
25404-4	Gr. 3	60,3	tapered 1:8 - 22,2 mm. diam.	Aluminium
25604-4	Gr. 3	60,3	parallel 24 mm. diam.	Aluminium
25404-6	Gr. 3	50,8	tapered 1:8 - 22,2 mm diam.	Aluminium
25604-6	Gr. 3	50,8	parallel 24 mm. diam.	Aluminium
25607	Gr. 3 - SAE A	82,5	parallel 25,4 mm. diam.	Aluminium
25608	Gr. 3 - SAE B	101,6	parallel 22,2 mm. diam.	Aluminium
25405	Gr. 3,5	60,3	tapered 1:8 - 26 mm. diam.	Aluminium
25605	Gr. 3,5	60,3	parallel 28 mm. diam.	Aluminium
25406	Gr. 2 BOSCH	80	tapered 1:5 - 20 mm. diam.	Aluminium
25606	Gr. 2 BOSCH	80	parallel 22 mm. diam.	Aluminium
25407	Gr. 3 BOSCH	105	tapered 1:5 - 24,6 mm. diam.	Aluminium
25408	Gr. 2 BOSCH	80	tapered 1:5 - 20 mm. diam.	Aluminium
25409	Gr. 2 B 50 C	50	tapered 1:5 - 17 mm. diam.	Aluminium
25609	Gr. 4 UNIVERSAL	85	parallel 42 mm. diam.	Aluminium
25610 / 24	Gr. 3	50,8	parallel 24 mm. diam.	Cast Iron
25610 / 40	Gr. 3	50,8	parallel 40 mm. diam.	Cast Iron

## Pump Front Bearing Series 25401 - 25601

Front bearing for pump Gr.1  
 Pump side centering diam. 25,4 mm.  
 Flange side centering diam. 50,8 mm.



### ORDER CODE

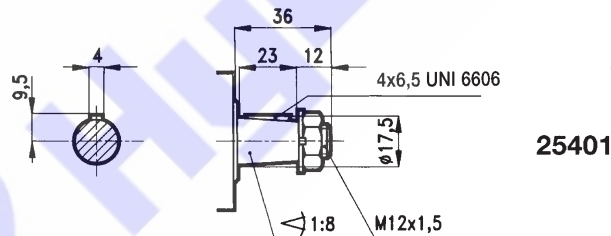
25401 - [ ]

Front bearing for pump Gr.1  
 Pump side centering diam. 25,4 mm.  
 Outlet centering diam. 50,8 mm.

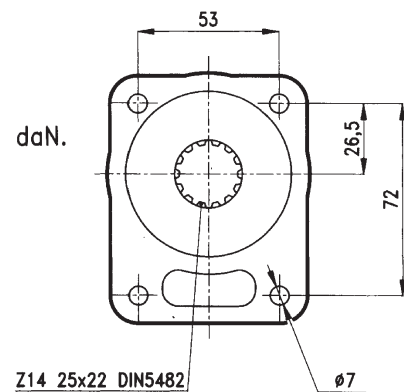
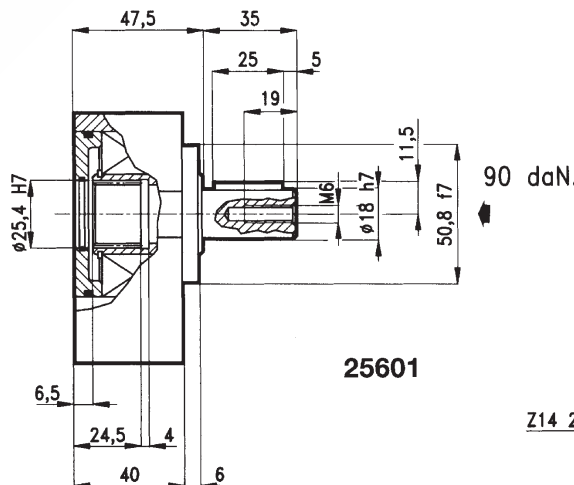
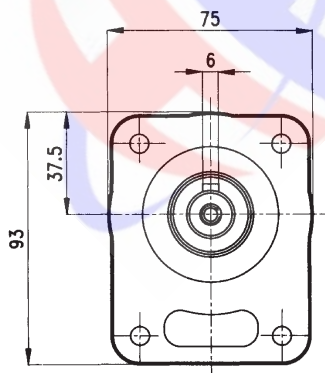
Outlet shaft  
 Tapered 1:8 - 17,5 diam. = 25401  
 Parallel 18 mm. diam. = 25601

Special versions

### INSTALLATION DRAWING



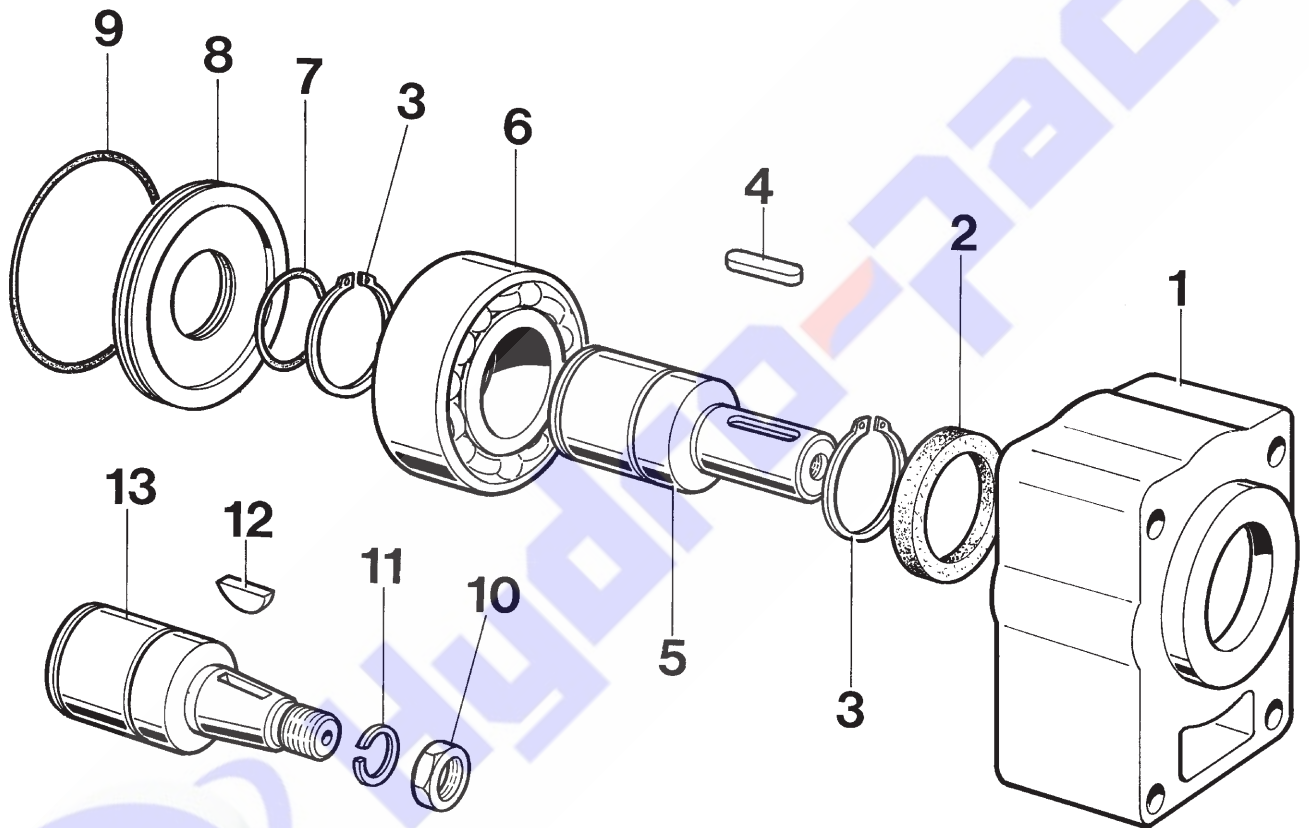
100 daN.  
 → 75 daN.





## Pump Front Bearing Series 25401 - 25601

### SPARE PARTS LIST



Ref.	CODE	DESCRIPTION	Q.ty
1	25001.1	Housing	1
2	303040	Sealing Ring 30x40x7	1
3	903000	Snap ring UNI 7435 - 30	2
4	426625	Key6x6x25 UNI 6604	1
5	AC18.1	Parallel shaft, d = 18 mm.	1
6	503206/Z	Bearing 3206A	1
7	402100	O-Ring 2100	1
8	COP062	Ring d=62	1
9	403225	O-Ring 3225	1
10	601215	Nut UNI 28675 M12x1.5	1
11	801200	Washer Grower d.12	1
12	700465	Key 4x6.5 UNI 6606	1
13	ACO1	Tapered shaft	1

## Pump Front Bearing Series 25402 - 25602

Front bearing for pump Gr.2  
 Pump side centering diam. 36,5 mm.  
 Outlet centering diam. 36,5 mm.



### ORDER CODE

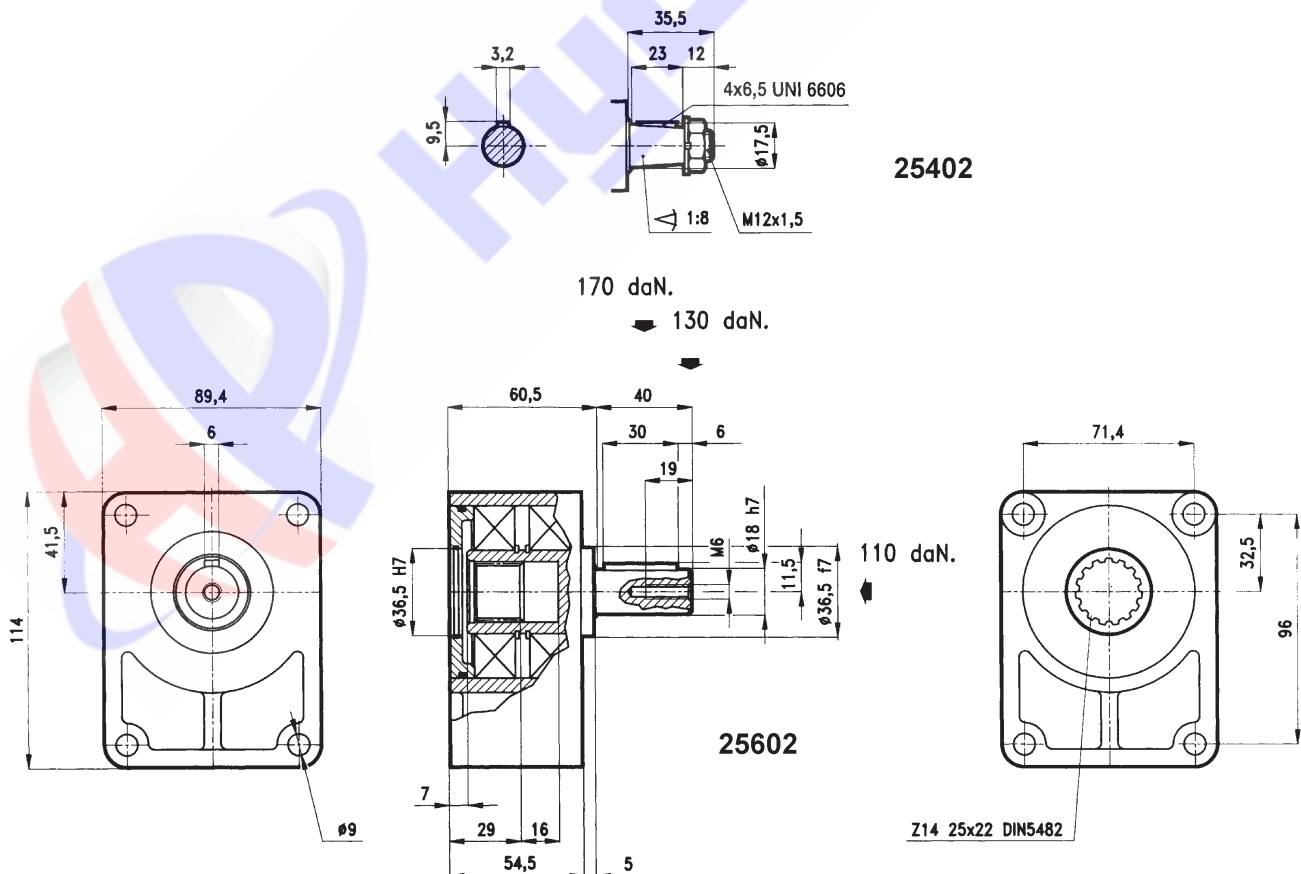
25402 -

Front bearing for pump Gr.2  
 Pump side centering diam. 36,5 mm.  
 Outlet centering diam. 36,5 mm.

Special versions

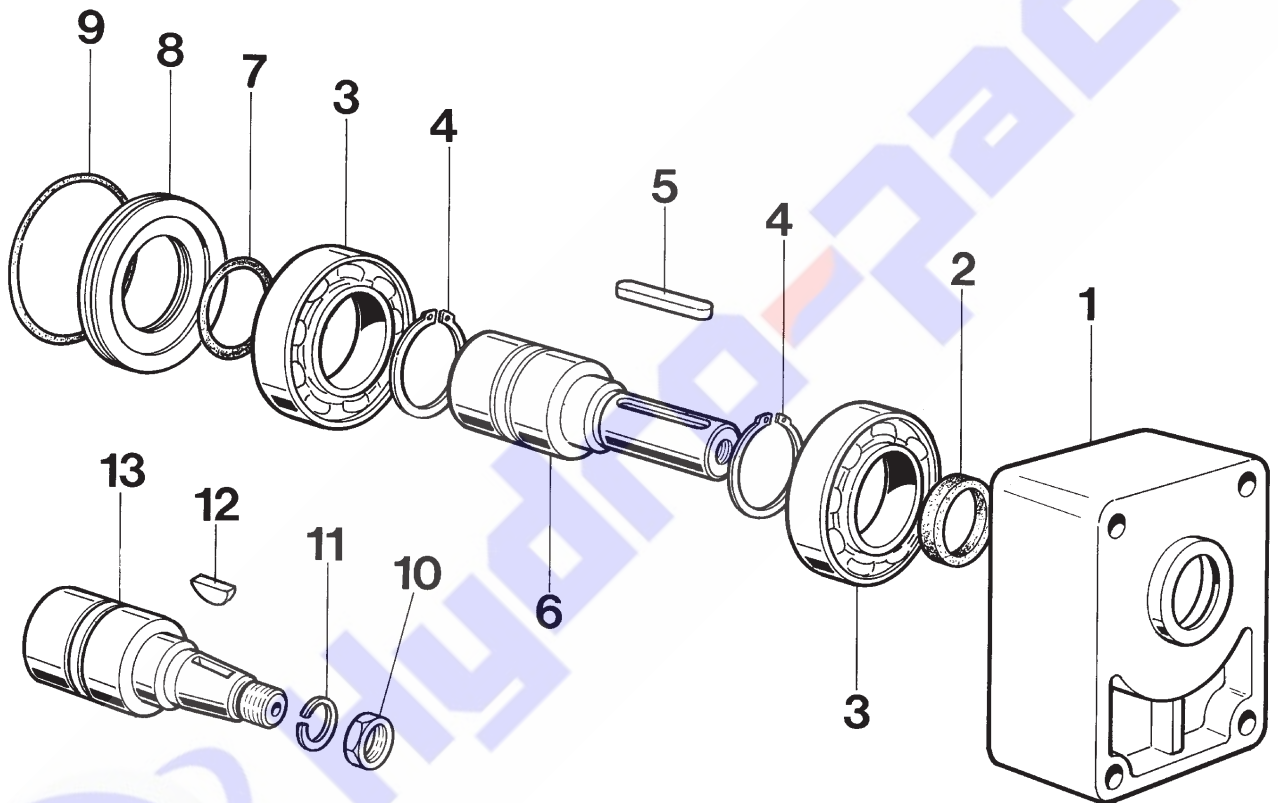
Outlet shaft  
 Tapered 1:8 - 17,5 diam. = 25402  
 Parallel 18 mm. diam. = 25602

### INSTALLATION DRAWING



## Pump Front Bearing Series 25402 - 25602

### SPARE PARTS LIST



Ref.	CODE	DESCRIPTION	Q.ty
1	25002/364.1	Housing	1
2	302232	Sealing Ring 22x32x7	1
3	506207/C	Bearing 6207A	2
4	903500	Snap ring UNI 7435 - 35	2
5	426630	Key 6x6x30 UNI 6604	1
6	AC18.2	Parallel shaft, d = 18mm.	1
7	403143	O-Ring 3143	1
8	25002/C.1	Ring d=72	1
9	403262	O-Ring 3262	1
10	601215	Nut UNI 28675 M12x1.5	1
11	801200	Washer Grower d.12	1
12	700465	Key 3.2x6.5 UNI 6606	1
13	ACO2	Tapered shaft	1



## Reinforced Pump Front Bearing Series 25403 - 25603

Front bearing for pump Gr.2  
 Pump side centering diam. 36,5 mm.  
 Outlet centering diam. 50,8 mm.



### ORDER CODE

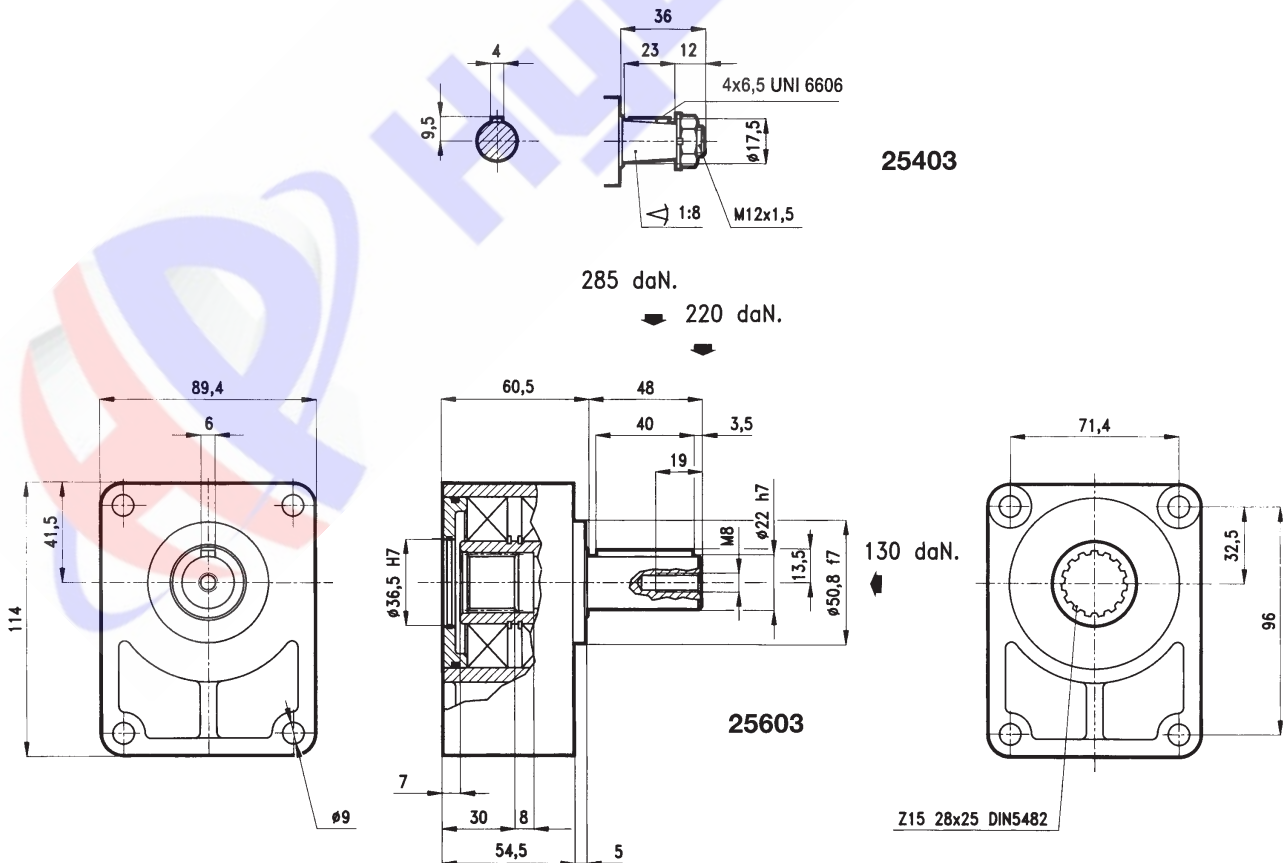
25403 -

Front bearing for pump Gr.2  
 Pump side centering diam. 36,5 mm.  
 Outlet centering diam. 50,8 mm.

Outlet shaft  
 Tapered 1:8 - 17,5 diam. = 25403  
 Parallel 22 mm. diam. = 25603

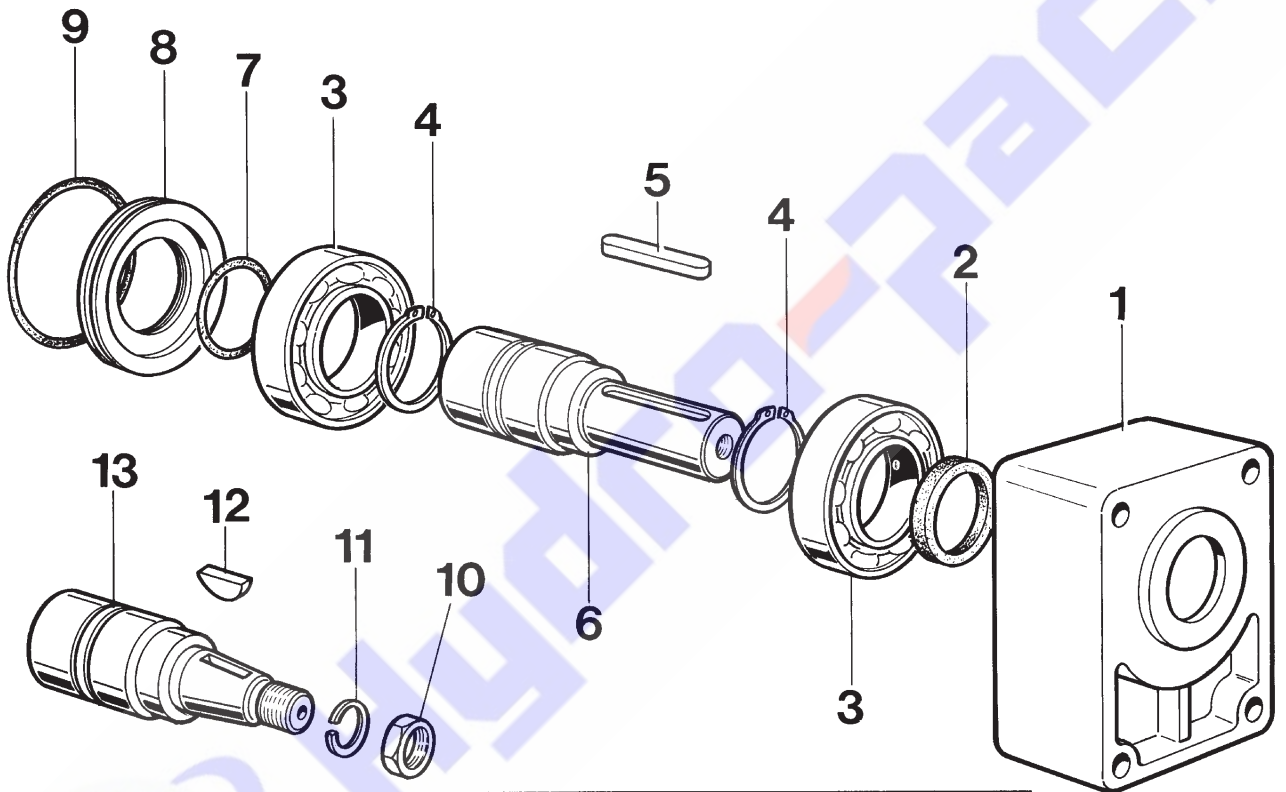
Special versions

### INSTALLATION DRAWING



## Reinforced Pump Front Bearing Series 25403 - 25603

### SPARE PARTS LIST



Ref.	CODE	DESCRIPTION	Q. ty
1	25003.1	Housing	1
2	303040	Sealing Ring 30x40x7	1
3	506207/C	Bearing 6207A	2
4	903500	Snap ring UNI 7435 - 35	2
5	426640	Key 6x6x40 UNI 6604	1
6	AC22/R2	Parallel shaft, d = 22 mm.	1
7	403143	O-Ring 3143	1
8	25002/C.1	Ring d=72	1
9	403262	O-Ring 3262	1
10	601215	Nut UNI 28675 M12x1.5	1
11	801200	Washer Grower d.12	1
12	700465	Key 3.2x6.5 UNI 6606	1
13	ACO2/R2	Tapered shaft	1

## Reinforced Pump Front Bearing Series 25403-1 - 25603-1

Front bearing for pump Gr.2  
 Pump side centering diam. 36,5 mm.  
 Outlet centering diam. 50,8 mm.



### ORDER CODE

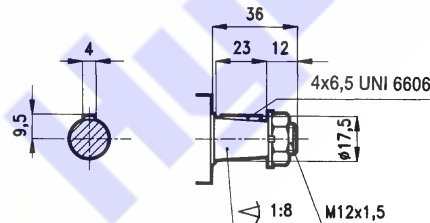
25403.1 -

Special versions

Front bearing for pump Gr.2  
 Pump side centering diam. 36,5 mm.  
 Outlet centering diam. 50,8 mm.

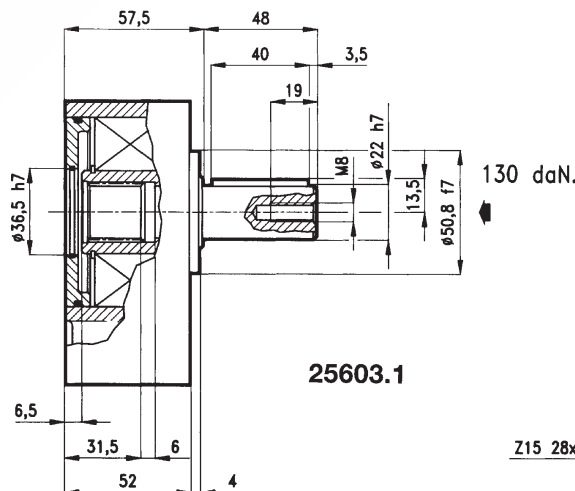
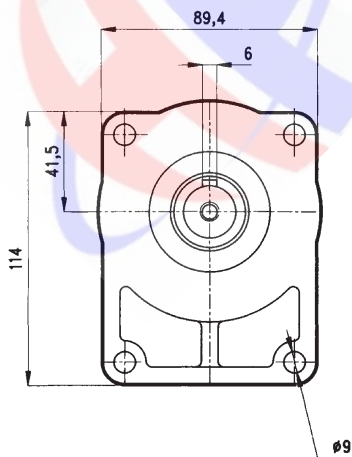
Outlet shaft  
 Tapered 1:8 - 17,5 diam. = 25403.1  
 Parallel 22 mm. diam. = 25603.1

### INSTALLATION DRAWING



25403.1

285 daN. 220 daN.

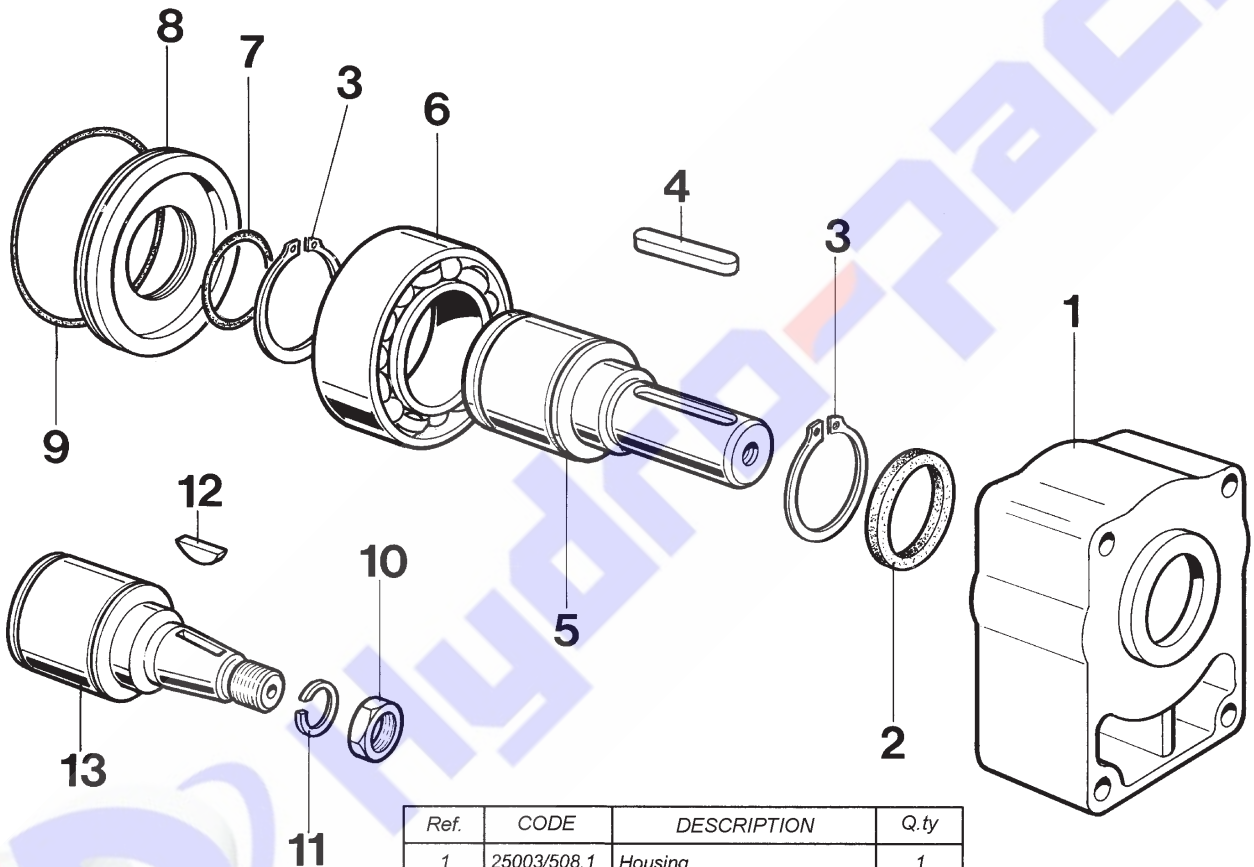


25603.1

Z15 28x25 DIN5482

## Reinforced Pump Front Bearing Series 25403-1 - 25603-1

### SPARE PARTS LIST



Ref.	CODE	DESCRIPTION	Q.ty
1	25003/508.1	Housing	1
2	303040	Sealing Ring 30x40x7	1
3	904000	Snap ring UNI 7435 - 40	2
4	426640	Key 6x6x40 UNI 6604	1
5	AC22/R	Parallel shaft, d = 22 mm.	1
6	503208/Z	Bearing 3208A	1
7	403143	O-Ring 3143	1
8	25003/C.1	Ring d=80	1
9	401740	O-Ring 174	1
10	601215	Nut UNI 28675 M12x1.5	1
11	801200	Washer Grower d.12	1
12	700365	Key 3.2x6.5 UNI 6606	1
13	ACO2/R	Tapered shaft	1

## Reinforced Pump Front Bearing Series 25404-4 - 25604-4

Front bearing for pump Gr.3  
 Pump side centering diam. 50,8 mm.  
 Outlet centering diam. 60,3 mm.



### ORDER CODE

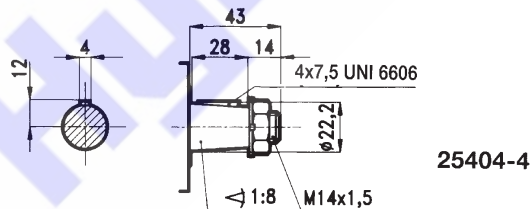
25404-4 - [ ]

Front bearing for pump Gr.3  
 Pump side centering diam. 50,8 mm.  
 Outlet centering diam. 60,3 mm.

Outlet shaft  
 Tapered 1:8 - 22,2 diam. = 25404-4  
 Parallel 24 mm. diam. = 25604-4

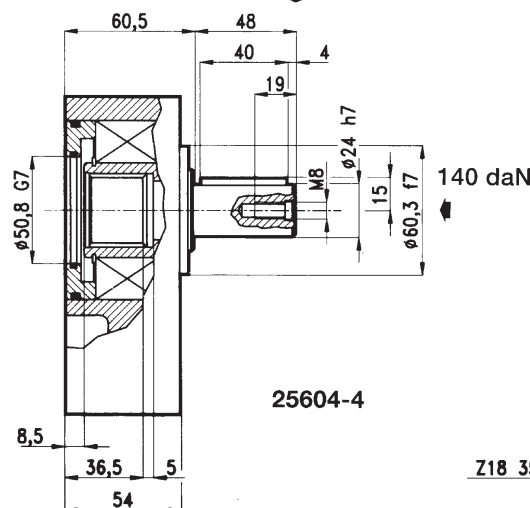
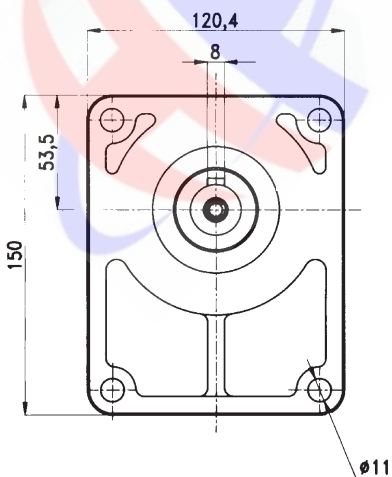
Special versions

### INSTALLATION DRAWING

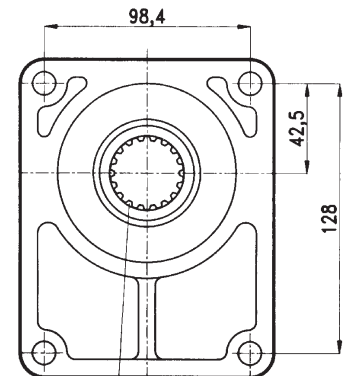


25404-4

315 daN.  
 240 daN.



25604-4

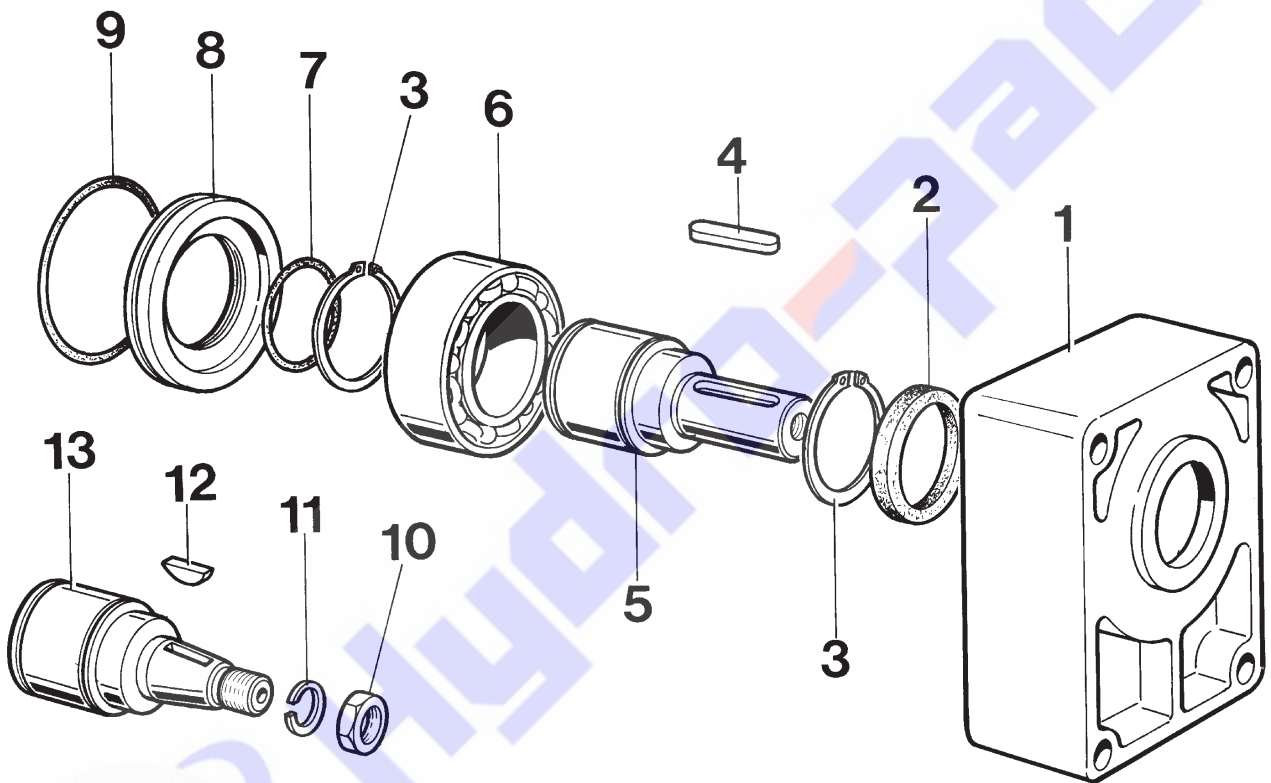


Z18 35x31 DIN5482



## Reinforced Pump Front Bearing Series 25404-4 - 25604-4

### SPARE PARTS LIST



Ref.	CODE	DESCRIPTION	Q.ty
1	25004/4.1	Housing	1
2	303852	Sealing Ring 38x52x7	1
3	904500	Snap ring UNI 7435 - 45	2
4	428740	Key 8x7x40 UNI 6604	1
5	AC24/4	Parallel shaft, d = 24 mm.	1
6	503209/Z	Bearing 3209 A	1
7	403200	O-Ring 3200	1
8	COP085	Ring d=85	1
9	404300	O-Ring 4300	1
10	601415	Nut UNI 28675 M14x1.5	1
11	801400	Washer Grower d.14	1
12	700475	Key 4x7.5 UNI 6606	1
13	ACO3/4F	Tapered shaft	1

## Pump Front Bearing Series 25404-6 - 25604-6

Front bearing for pump Gr.3  
 Pump side centering diam. 50,8 mm.  
 Outlet centering diam. 50,8 mm.



### ORDER CODE

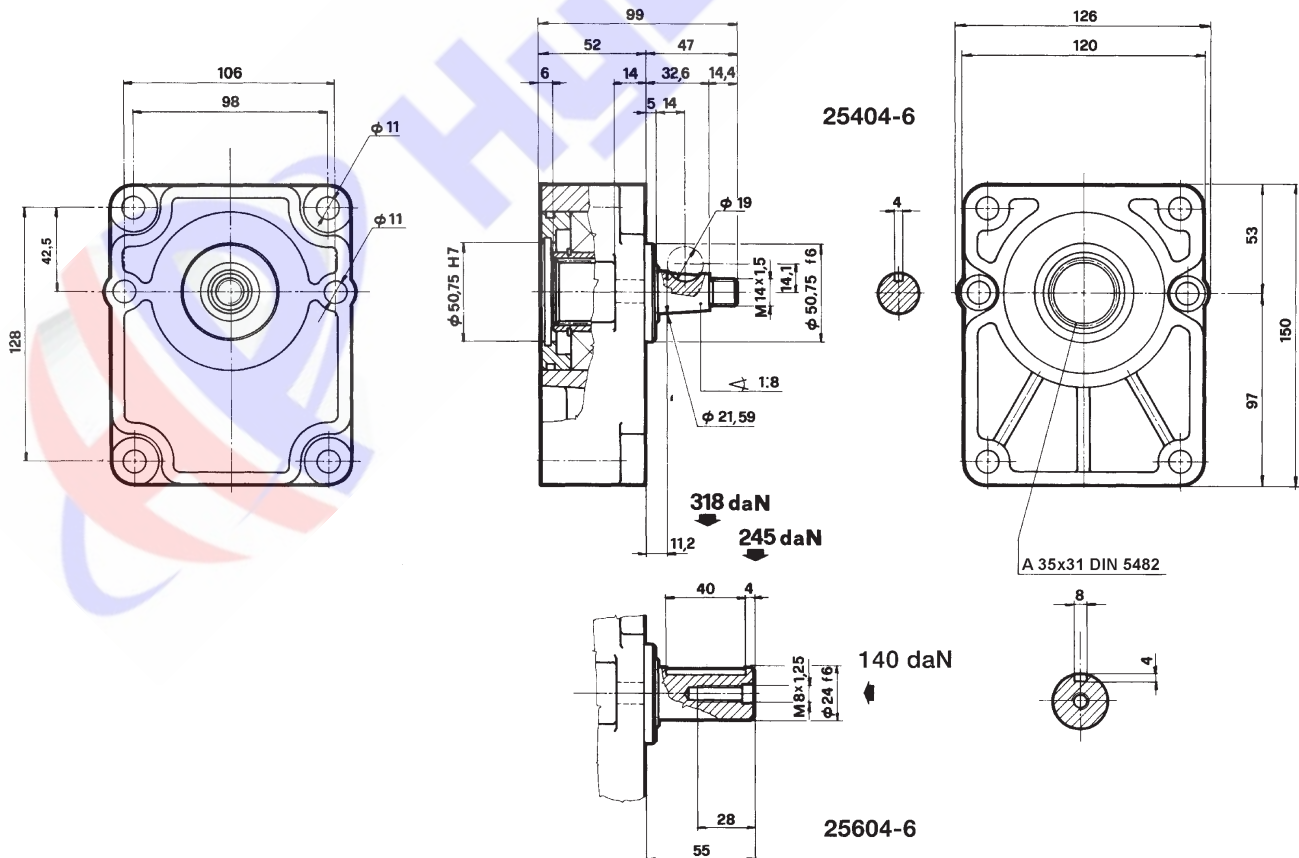
25404-6 -

Front bearing for pump Gr.3  
 Pump side centering diam. 50,8 mm.  
 Outlet centering diam. 50,8 mm.

Outlet shaft  
 Tapered 1:8 - 22,2 diam. = 25404-6  
 Parallel 24 mm. diam. = 25604-6

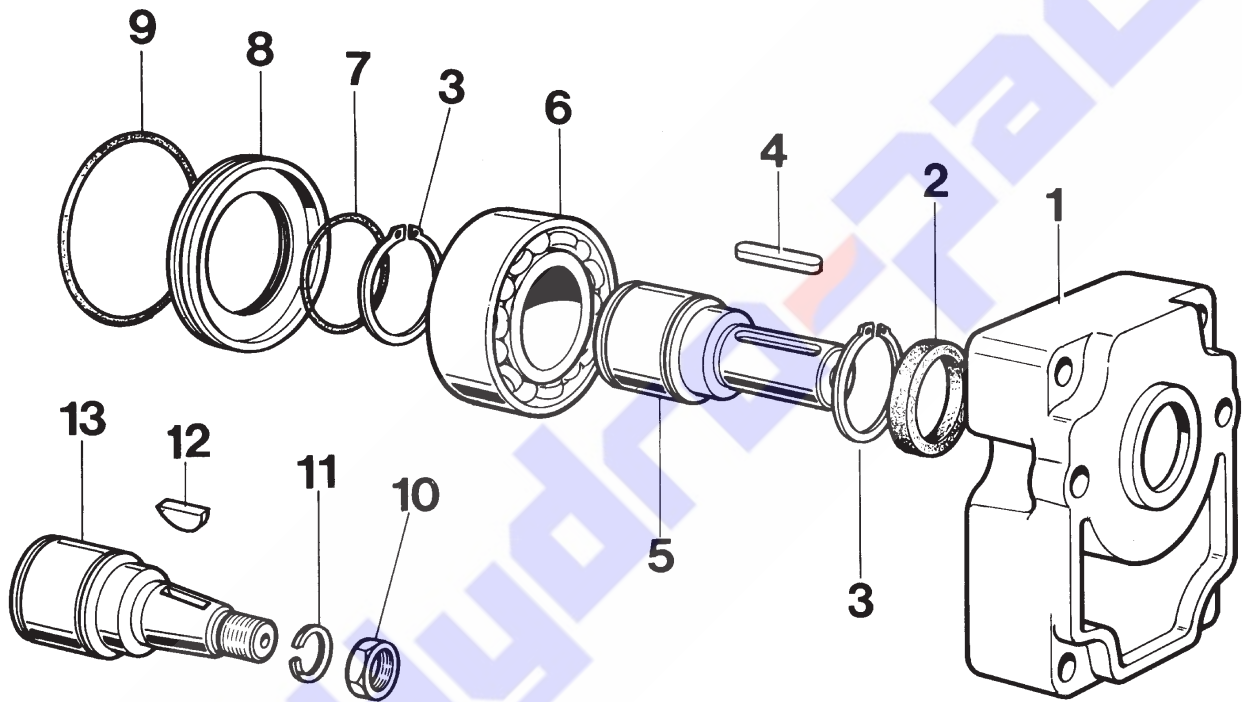
Special versions

### INSTALLATION DRAWING



## Pump Front Bearing Series 25404-6 - 25604-6

### SPARE PARTS LIST



Ref.	CODE	DESCRIPTION	Q.ty
1	25004/6.1	Housing	1
2	303545	Sealing Ring 35x45x7	1
3	904000	Snap ring UNI 7435 - 40	2
4	428740	Key 8x7x40 UNI 6604	1
5	AC24	Parallel shaft, d = 24 mm.	1
6	503208/Z	Bearing 3208A	1
7	403200	O-Ring 3200	1
8	25003/C.1	Ring d=80	1
9	401740	O-Ring 174	1
10	601415	Nut UNI 28675 M14x1.5	1
11	801400	Washer Grower d.14	1
12	700475	Key 4x7.5 UNI 6606	1
13	ACO3/6F	Tapered shaft	1

## Pump Front Bearing Series 25607

Front bearing for pump Gr.3 - SAE A  
 Pump side centering diam. 50,8 mm.  
 Outlet centering diam. 82,5 mm.



### ORDER CODE

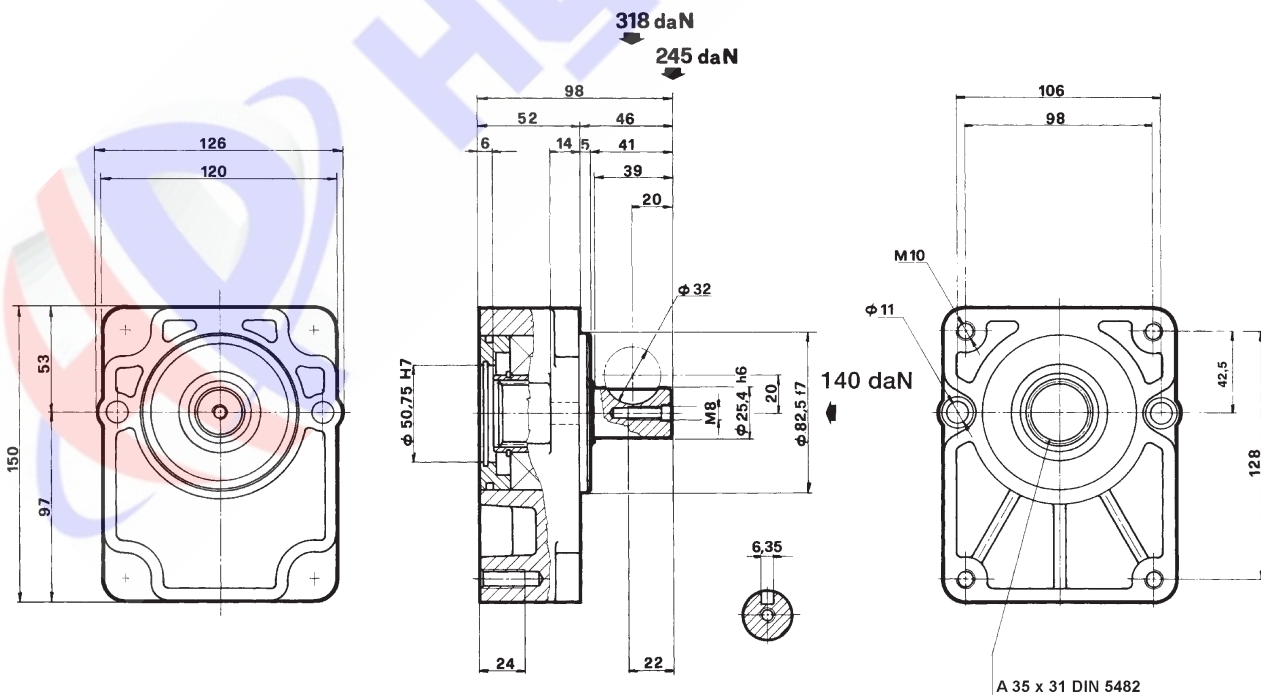
25607 -

Front bearing for pump Gr.3  
 Pump side centering diam. 50,8 mm.  
 Outlet flange SAE A  
 Outlet centering diam. 82,5 mm.

Outlet shaft  
 Parallel 25,4 mm. diam. = 25607

Special versions

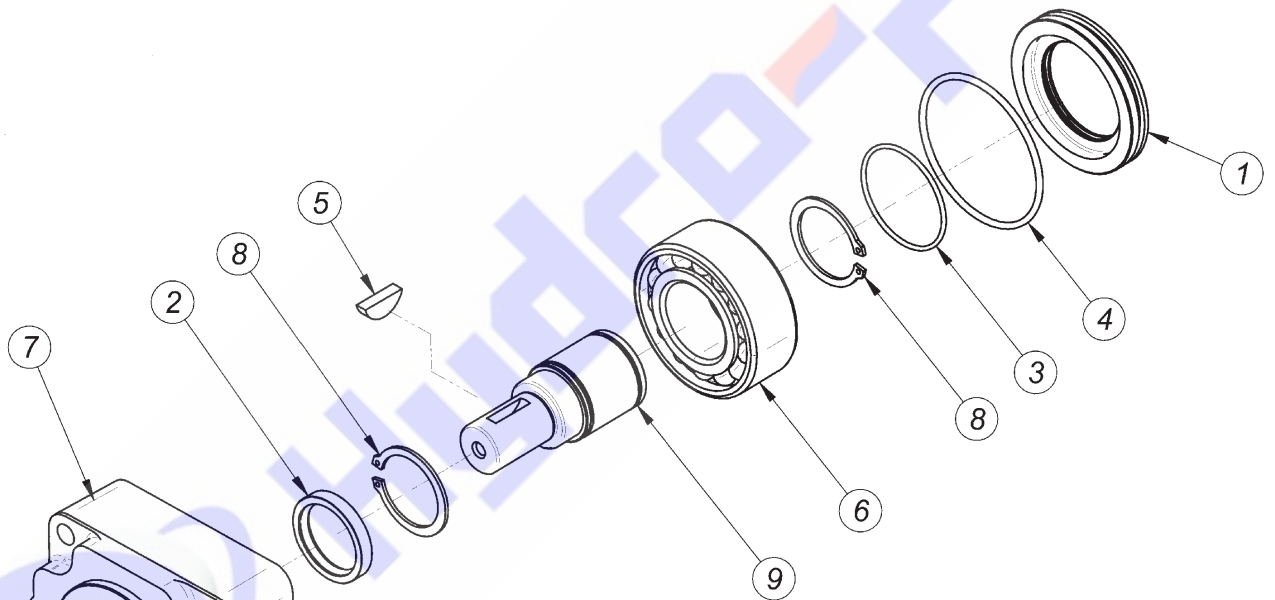
### INSTALLATION DRAWING



25607

## Pump Front Bearing Series 25607

### SPARE PARTS LIST



Ref.	CODE	DESCRIPTION	Q.ty
1	25003/C.1	Ring	1
2	303545	Sealing ring 35x45x7	1
3	403200	O-Ring	1
4	401740	O-Ring	1
5	700610	Key 6x10 UNI 6606	1
6	503208/2	Bearing 3208A	1
7	25007.1	Housing	1
8	904000	Snap ring UNI 7435 - 40	2
9	AC 25.4	Parallel shaft, d = 40 mm.	1



## Pump Front Bearing Series 25608

Front bearing for pump Gr.3 - SAE B  
 Pump side centering diam. 50,8 mm.  
 Outlet centering diam. 101,6 mm.



### ORDER CODE

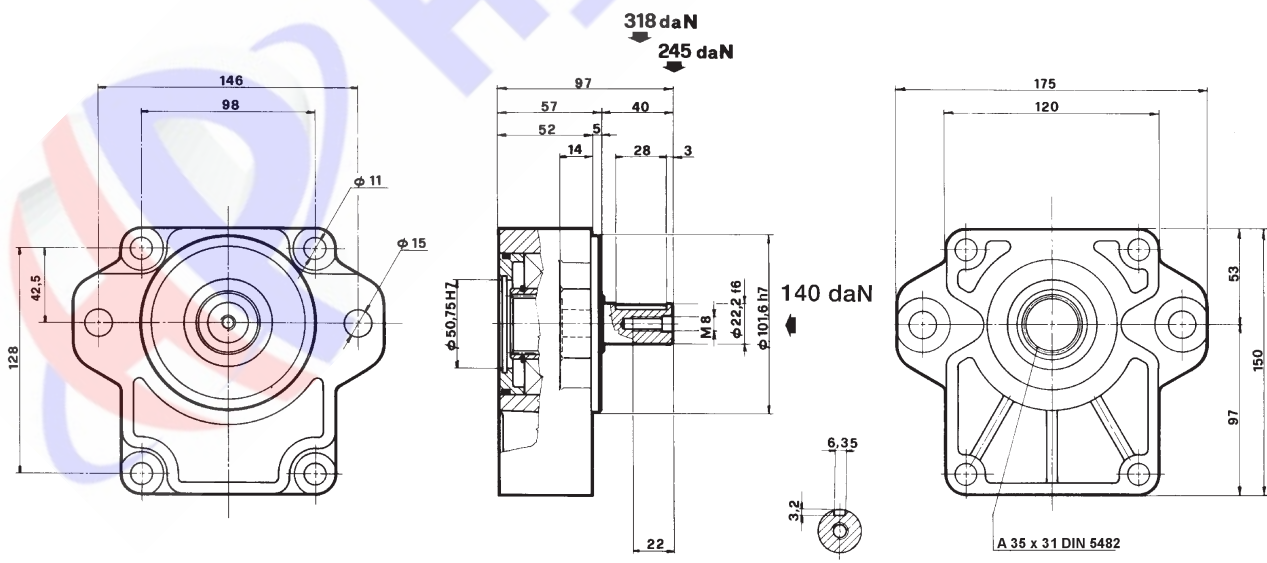
25608 -

Front bearing for pump Gr.3  
 Pump side centering diam. 50,8 mm.  
 Outlet flange SAE B  
 Outlet centering diam. 101,6 mm.

Outlet shaft  
 Parallel 22,2 mm. diam. = 25608

Special versions

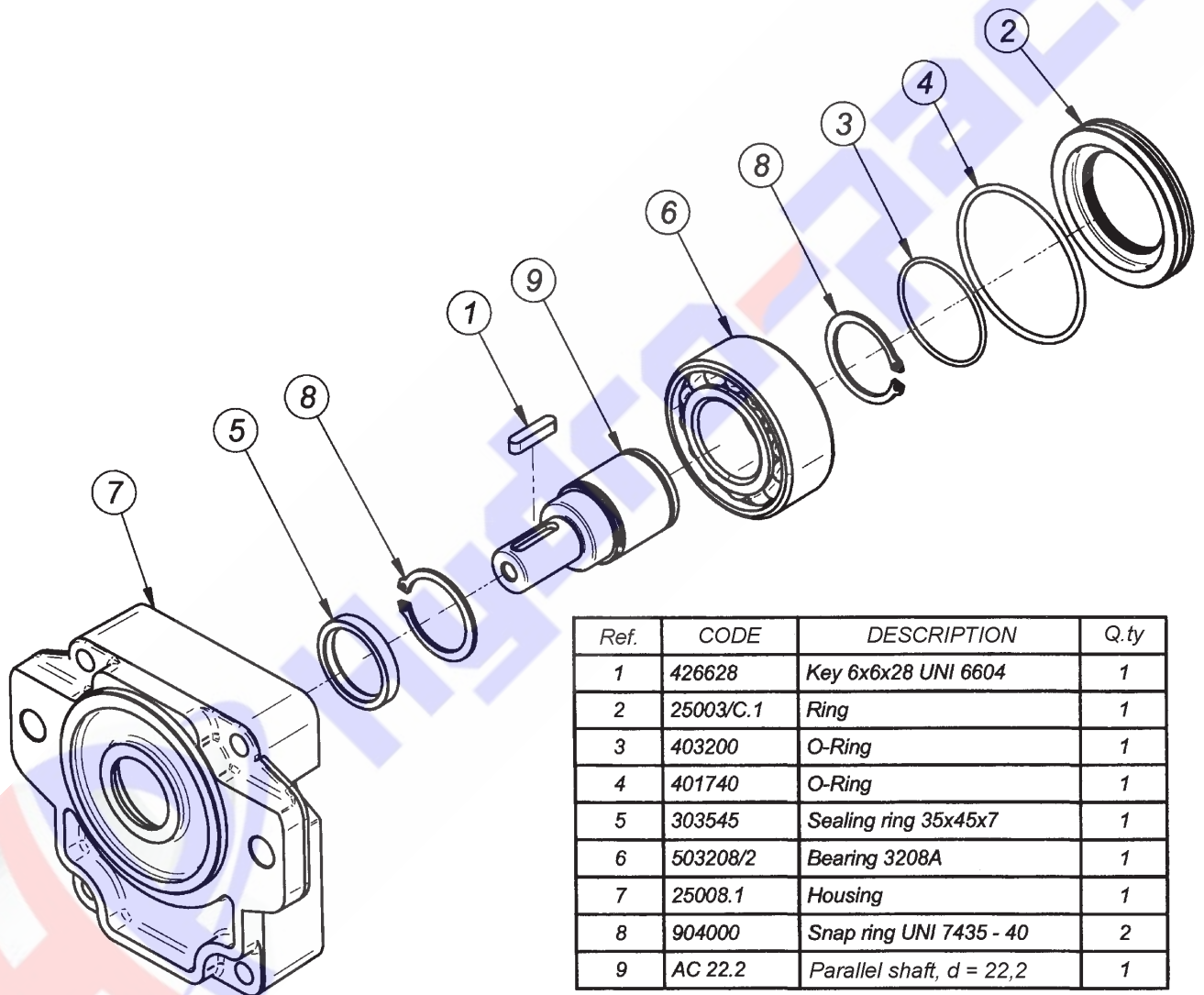
### INSTALLATION DRAWING



25608

## Pump Front Bearing Series 25608

### SPARE PARTS LIST



## Pump Front Bearing Series 25405 - 25605

Front bearing for pump Gr.3,5  
 Pump side centering diam. 60,3 mm.  
 Outlet centering diam. 60,3 mm.



### ORDER CODE

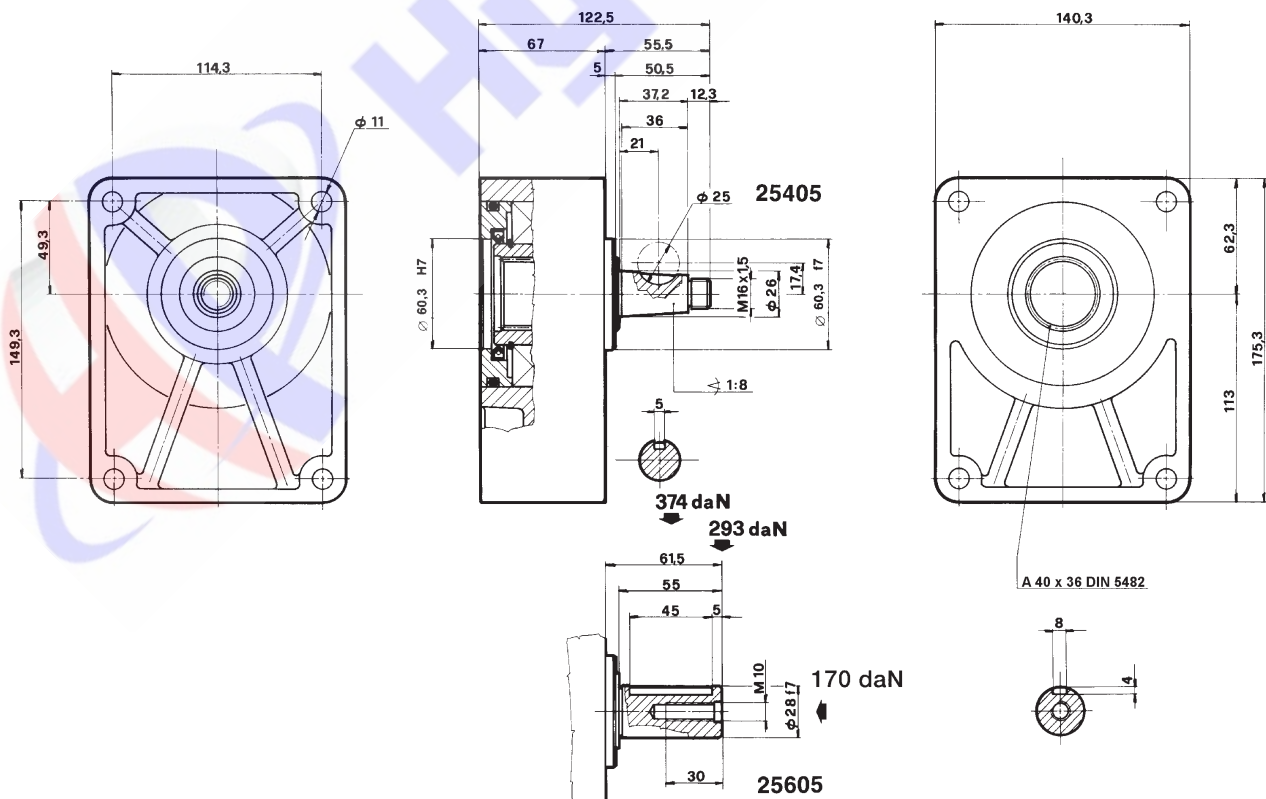
25405 - [ ]

Front bearing for pump Gr.3,5  
 Pump side centering diam. 60,3 mm.  
 Outlet centering diam. 60,3 mm.

Outlet shaft  
 Tapered 1:8 - 26 mm. diam. = 25405  
 Parallel 28 mm. diam. = 25605

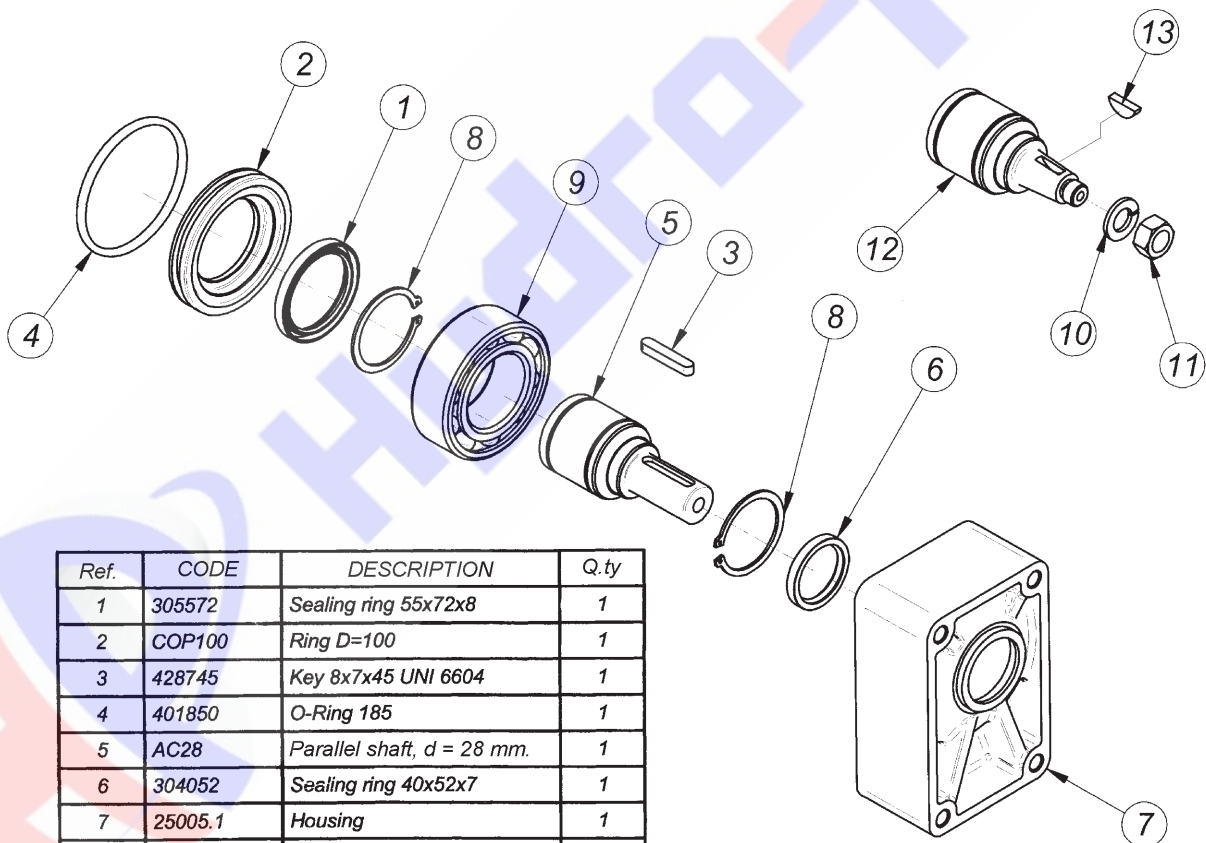
Special versions

### INSTALLATION DRAWING



## Pump Front Bearing Series 25405 - 25605

### SPARE PARTS LIST



Ref.	CODE	DESCRIPTION	Q.ty
1	305572	Sealing ring 55x72x8	1
2	COP100	Ring D=100	1
3	428745	Key 8x7x45 UNI 6604	1
4	401850	O-Ring 185	1
5	AC28	Parallel shaft, d = 28 mm.	1
6	304052	Sealing ring 40x52x7	1
7	25005.1	Housing	1
8	905500	Snap ring UNI 7435 - 55	2
9	503211/Z	Bearing 3211	1
10	801600	Washer UNI 8839 B 16	1
11	601615	Nut M16x1.5	1
12	AC03.5	Tapered shaft	1
13	700510	Key 5x10 UNI 6606	1

## Pump Front Bearing Series 25406 - 25606

Front bearing for pump BOSCH Gr.2  
 Pump side centering diam. 80 mm.  
 Outlet centering diam. 80 mm.



### ORDER CODE

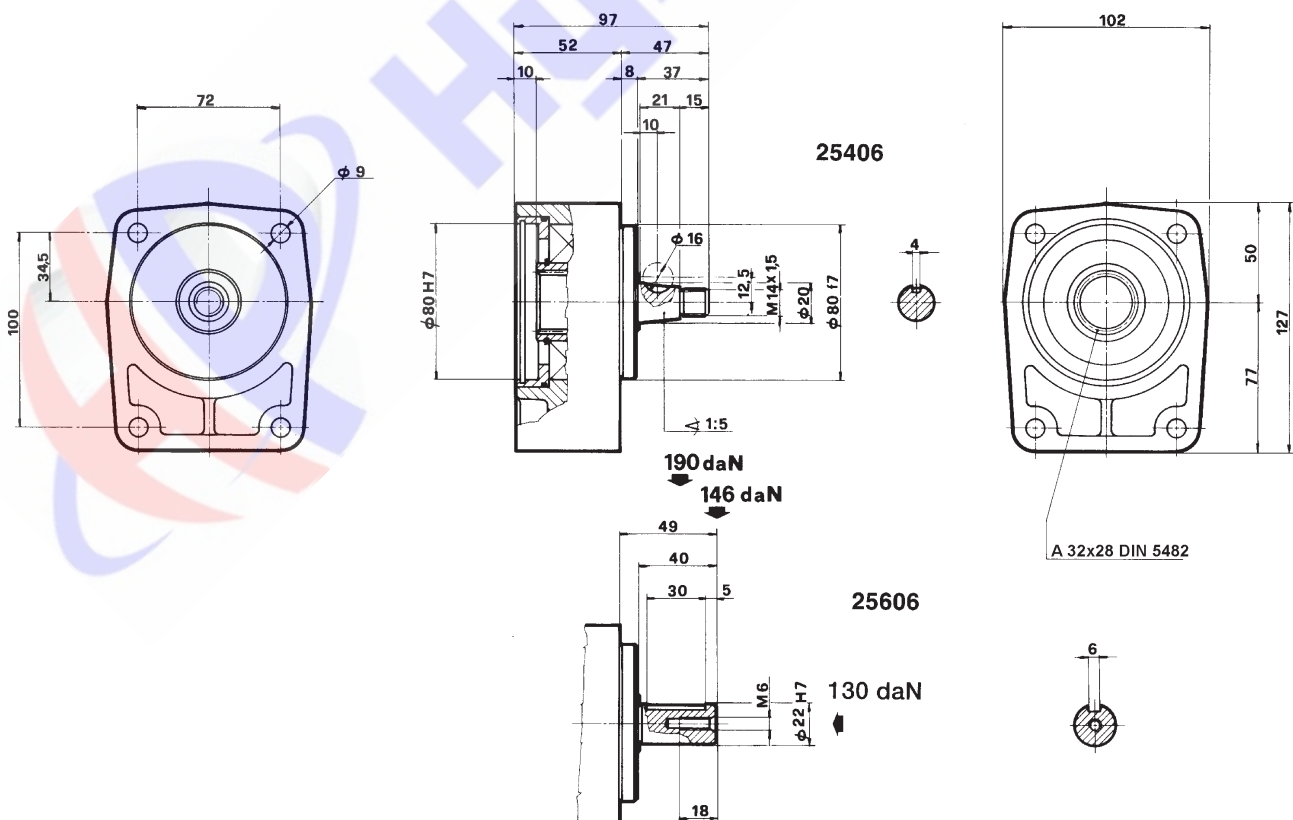
25406 -

Front bearing for pump BOSCH Gr.2  
 Pump side centering diam. 80 mm.  
 Outlet centering diam. 80 mm.

Special versions

Outlet shaft  
 Tapered 1:5 - 20 mm. diam. = 25406  
 Parallel 22 mm. diam. = 25606

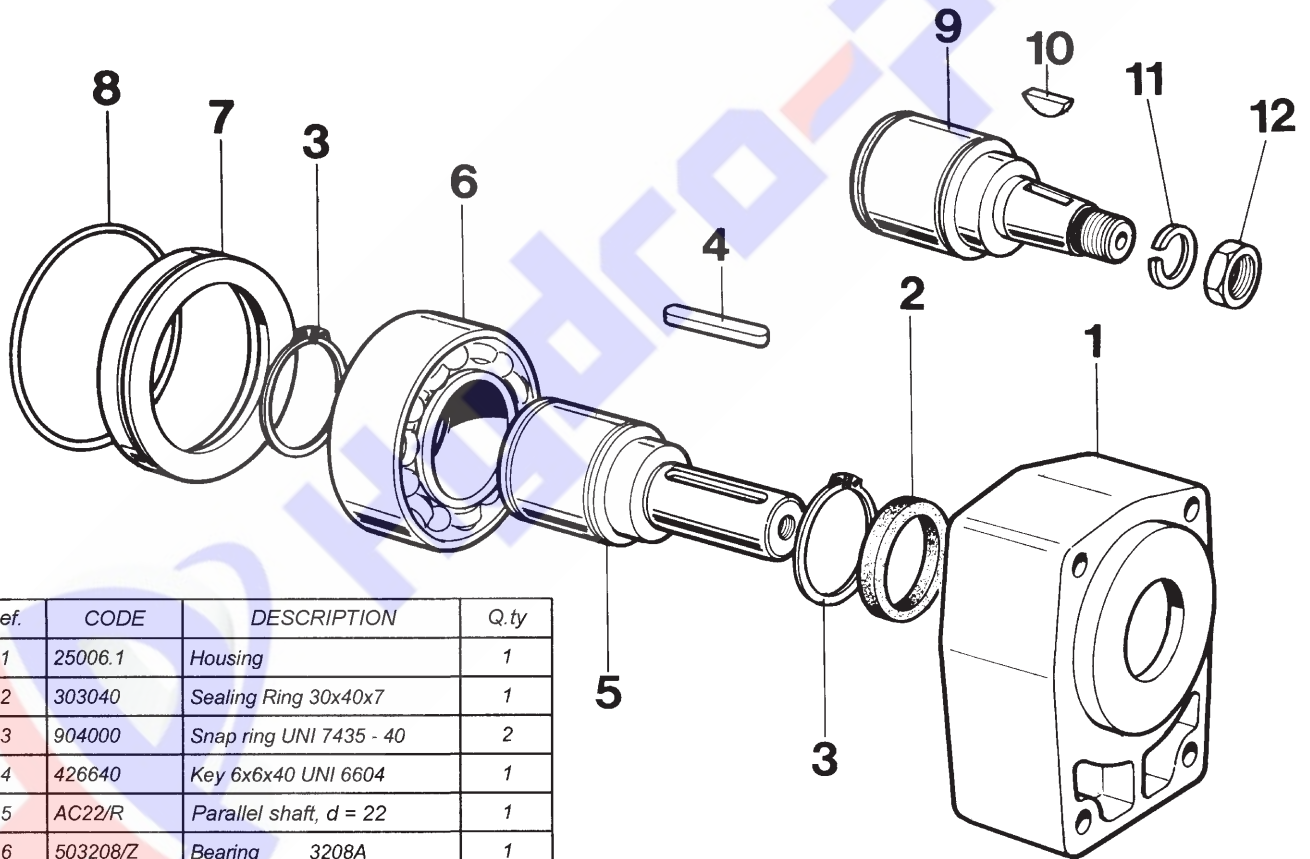
### INSTALLATION DRAWING





## Pump Front Bearing Series 25406 - 25606

### SPARE PARTS LIST



Ref.	CODE	DESCRIPTION	Q.ty
1	25006.1	Housing	1
2	303040	Sealing Ring 30x40x7	1
3	904000	Snap ring UNI 7435 - 40	2
4	426640	Key 6x6x40 UNI 6604	1
5	AC22/R	Parallel shaft, d = 22	1
6	503208/Z	Bearing 3208A	1
7	COP088	Ring d=88	1
8	418025	O-Ring 80x2.5	2
9	ACO2/B	Tapered shaft	1
10	700465	Key 4x6.5x16 UNI 6606	1
11	801400	Washer Grower d.14	1
12	601415	Nut UNI 28675 M14x1.5	1

## Pump Front Bearing Series 25407 (only on request)

Front bearing for pump BOSCH Gr.3  
 Pump side centering diam. 105 mm.  
 Outlet centering diam. 105 mm.



## ORDER CODE

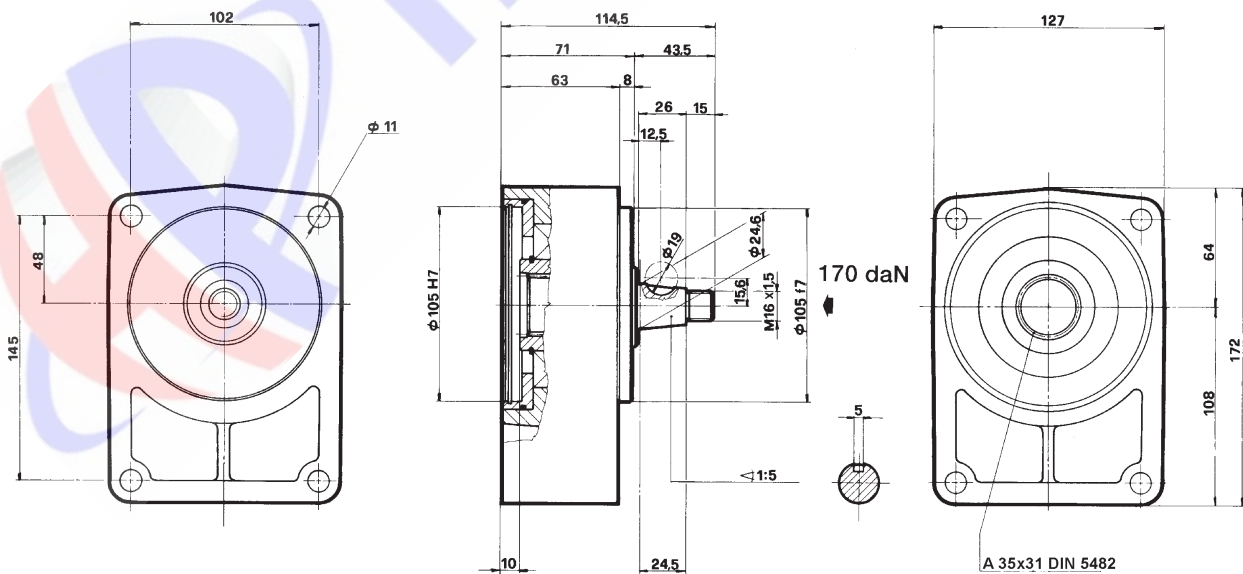
25407 -

Front bearing for pump BOSCH Gr.3  
 Pump side centering diam. 105 mm.  
 Outlet centering diam. 105 mm.

Outlet shaft  
 Tapered 1:5 - 24,6 mm. diam. = 25407

Special versions

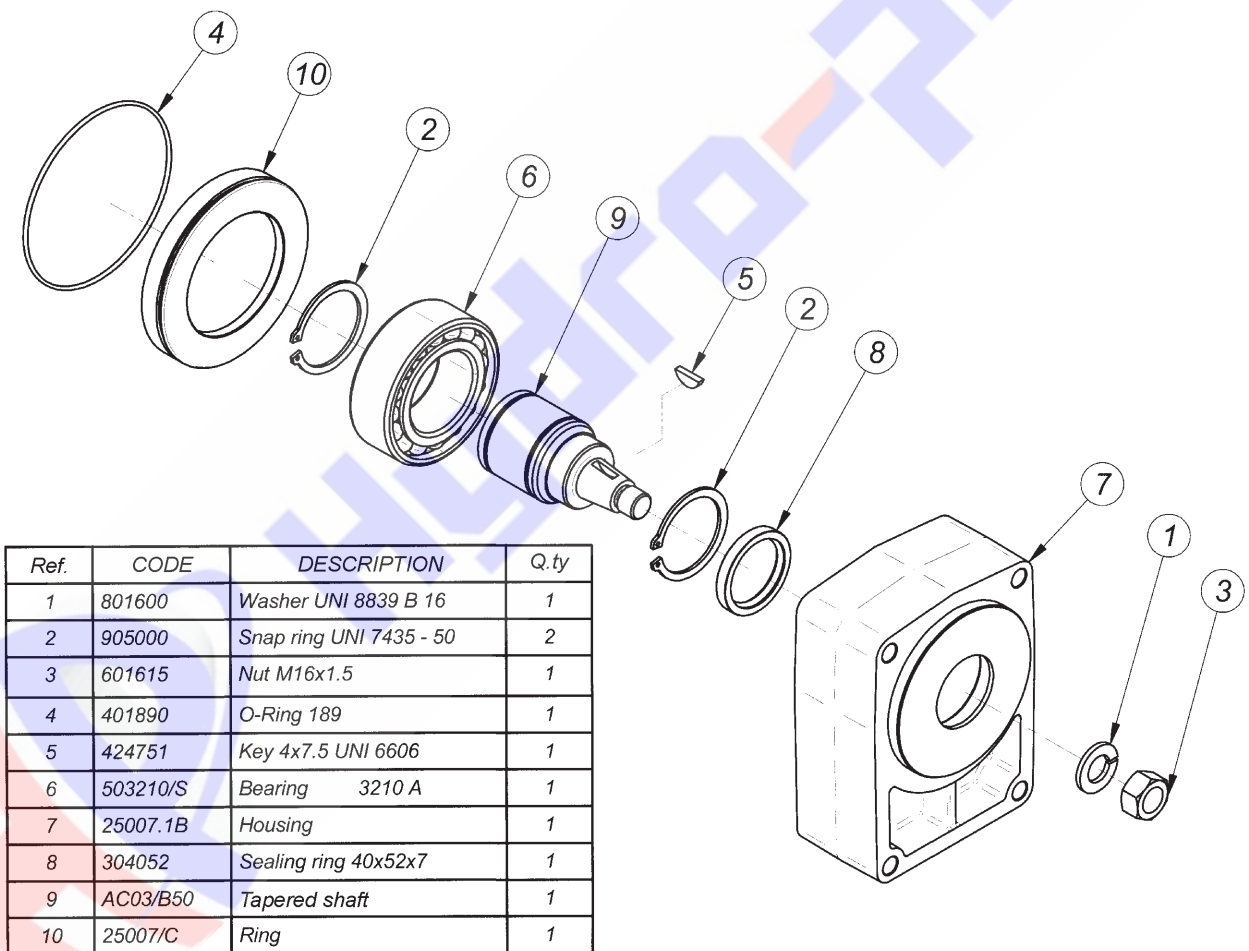
## INSTALLATION DRAWING



25407

## Pump Front Bearing Series 25407

### SPARE PARTS LIST



## Pump Front Bearing Series 25408

Front bearing for pump BOSCH Gr.2  
 Pump side centering diam. 52 mm.  
 Outlet centering diam. 80 mm.



### ORDER CODE

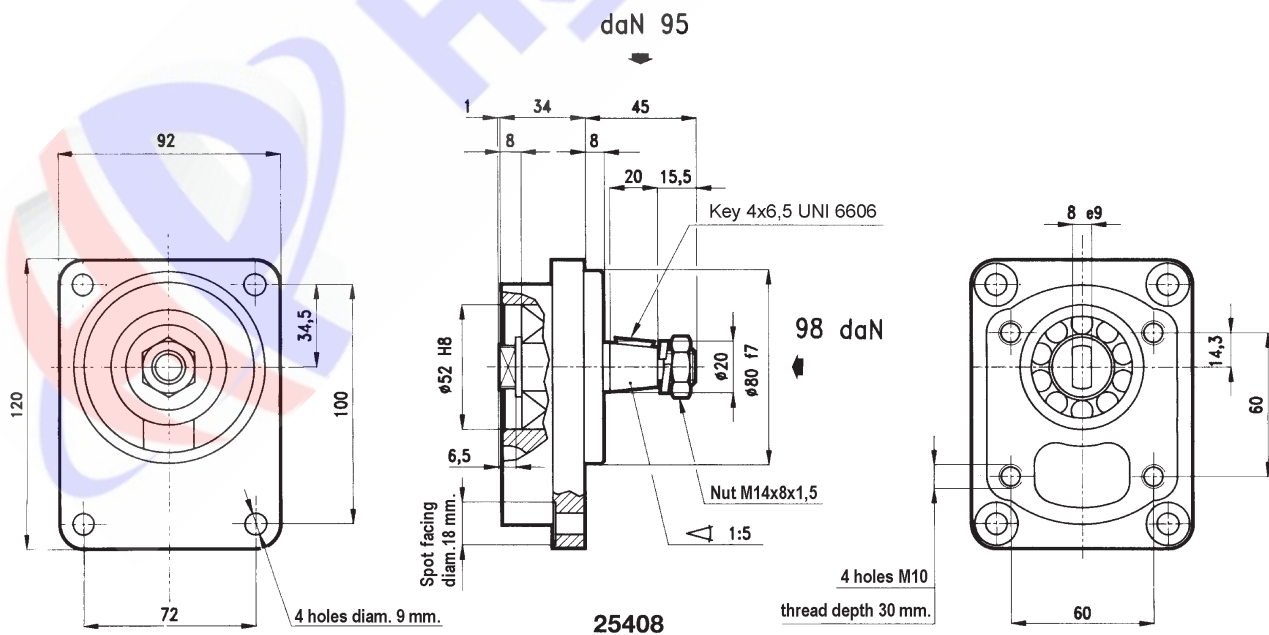
25408 -

Special versions

Front bearing for pump BOSCH Gr.2  
 Pump side centering diam. 52 mm.  
 Outlet centering diam. 80 mm.

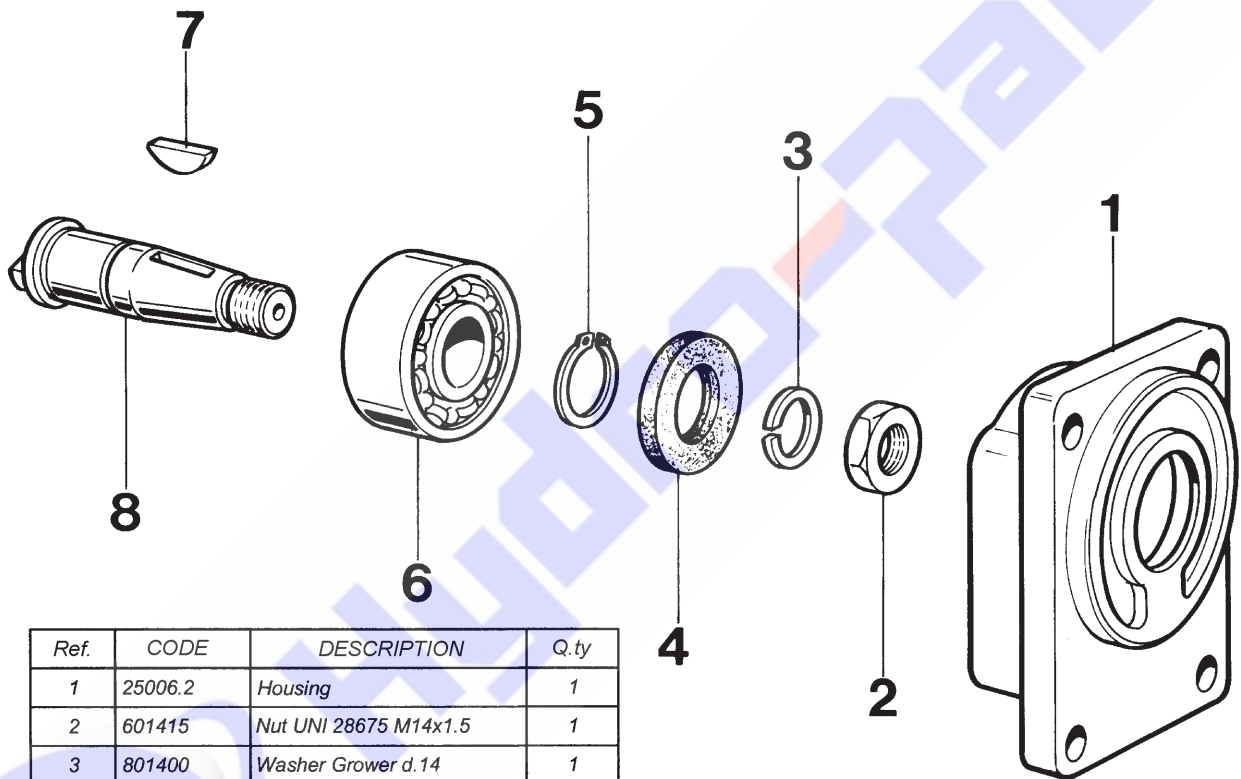
Outlet shaft  
 Tapered 1:5 - 20 mm. diam. = 25408

### INSTALLATION DRAWING



## Pump Front Bearing Series 25408

### SPARE PARTS LIST



Ref.	CODE	DESCRIPTION	Q.ty
1	25006.2	Housing	1
2	601415	Nut UNI 28675 M14x1.5	1
3	801400	Washer Grower d.14	1
4	302040	Sealing Ring 20x40x7	1
5	902000	Snap ring UNI 7435 - 20	1
6	503304/Z	Bearing 3304 A	1
7	700465	Key 4x6.5x16 UNI 6606	1
8	ACO2/S	Tapered shaft	1

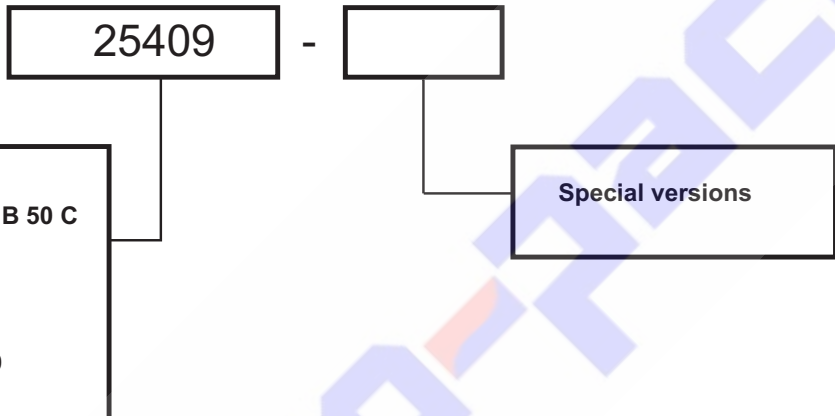


## Pump Front Bearing Series 25409

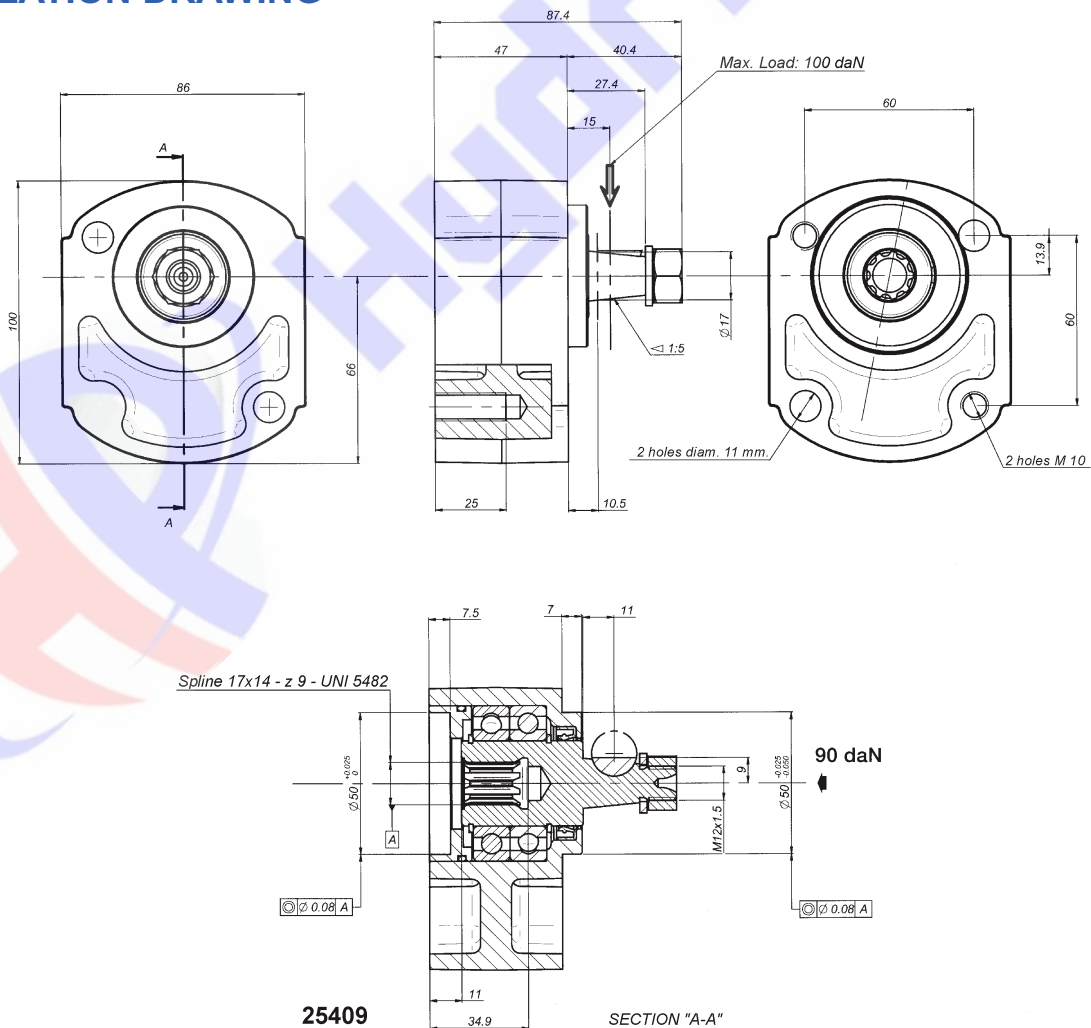
Front bearing for pump BOSCH Gr.2 B 50 C  
 Pump side centering diam. 50 mm.  
 Outlet centering diam. 50 mm.



### ORDER CODE

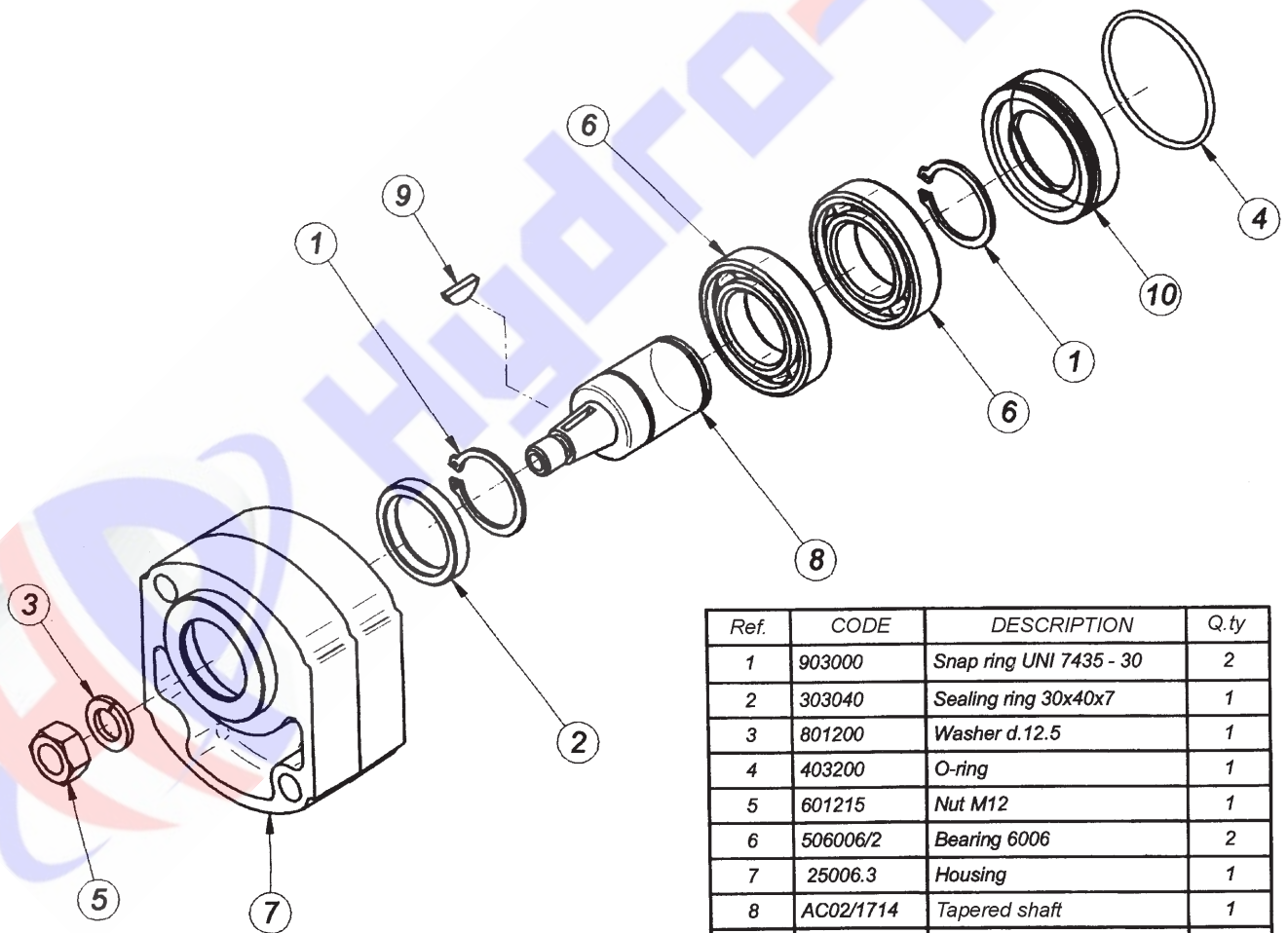


### INSTALLATION DRAWING



## Pump Front Bearing Series 25409

### SPARE PARTS LIST



Ref.	CODE	DESCRIPTION	Q.ty
1	903000	Snap ring UNI 7435 - 30	2
2	303040	Sealing ring 30x40x7	1
3	801200	Washer d.12.5	1
4	403200	O-ring	1
5	601215	Nut M12	1
6	506006/2	Bearing 6006	2
7	25006.3	Housing	1
8	AC02/1714	Tapered shaft	1
9	700365	Key 3x6.5	1
10	COPO55	Ring	1

## Pump Front Bearing Series 25609

Front bearing for pump Gr.4 UNIVERSAL  
 Pump side centering diam. 85 mm.  
 Outlet centering diam. 85 mm.



### ORDER CODE

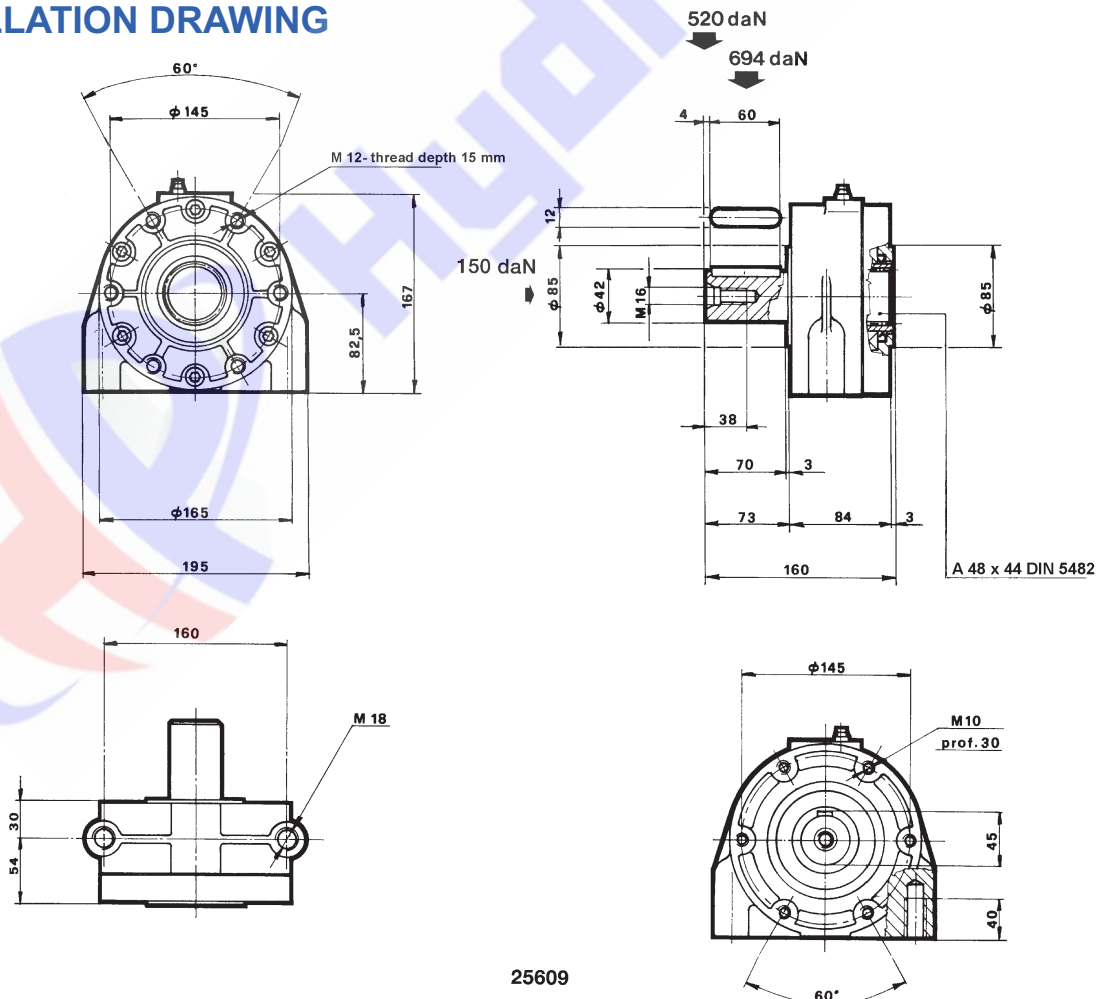
25609 -

Special versions

Front bearing for pump Gr.4 UNIVERSAL  
 Pump side centering diam. 85 mm.  
 Outlet centering diam. 85 mm.

Outlet shaft  
 Parallel 42 mm. diam. = 25609

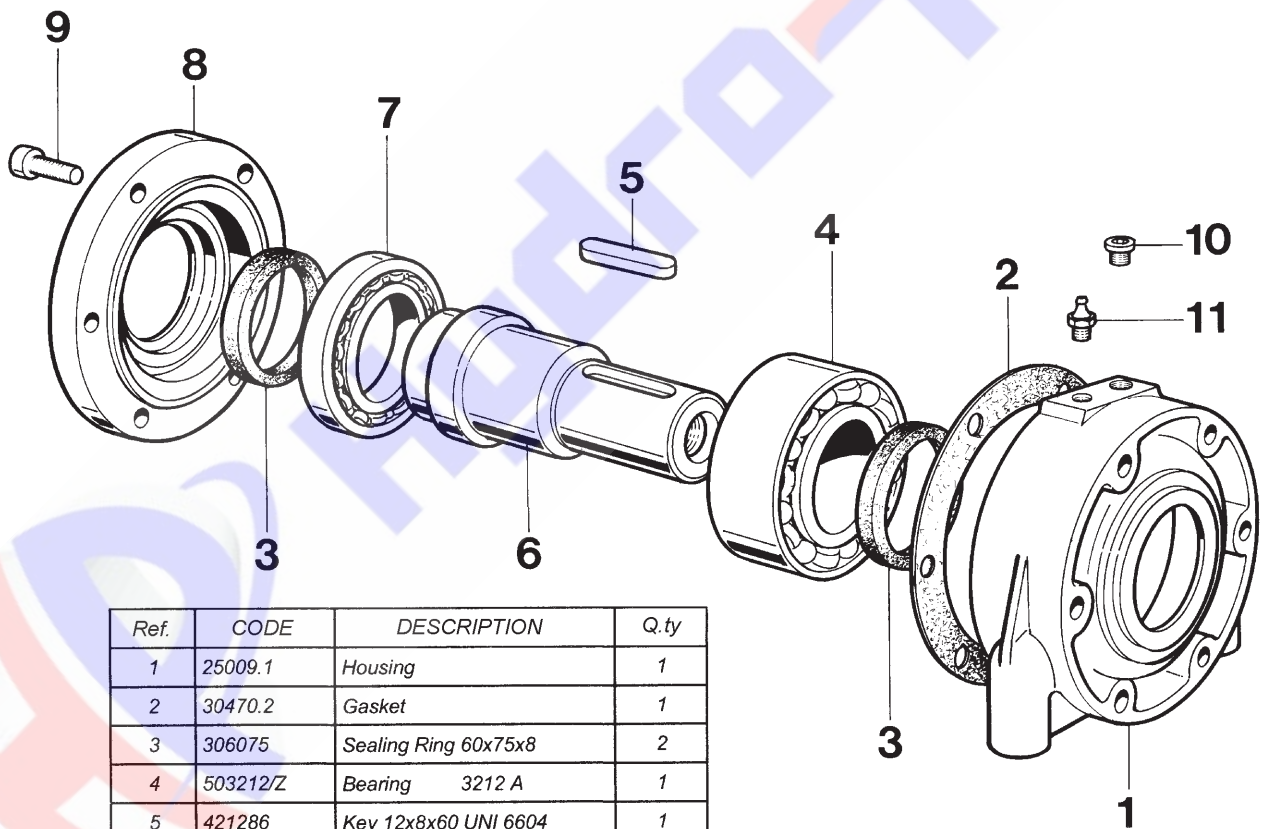
### INSTALLATION DRAWING



25609

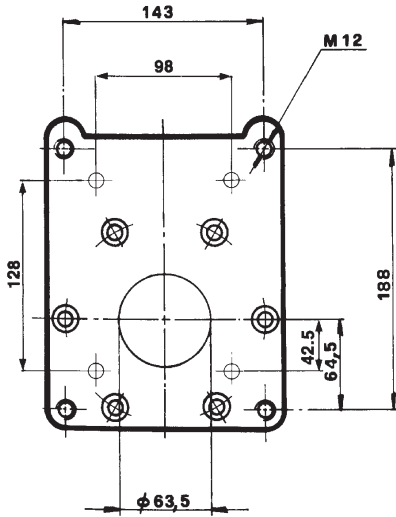
## Pump Front Bearing Series 25609

### SPARE PARTS LIST

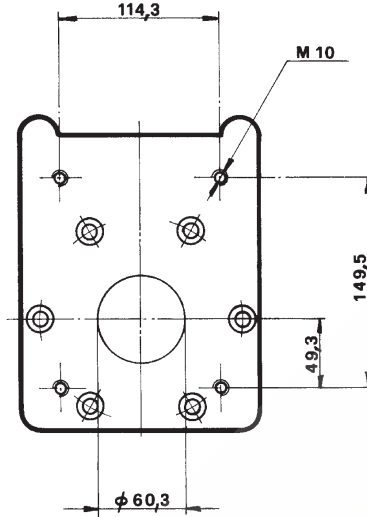


Ref.	CODE	DESCRIPTION	Q.ty
1	25009.1	Housing	1
2	30470.2	Gasket	1
3	306075	Sealing Ring 60x75x8	2
4	503212/Z	Bearing 3212 A	1
5	421286	Key 12x8x60 UNI 6604	1
6	AC 42	Parallel shaft, d= 42 mm.	1
7	501601/Z	Bearing 16012 A	1
8	30470	Flange	1
9	611025	Socket Capscrew M10x25	6
10	940182	Oil drain plug 1/8" G	1
11	500000.1	Greaser UNI 7663-A M8x1,25	1

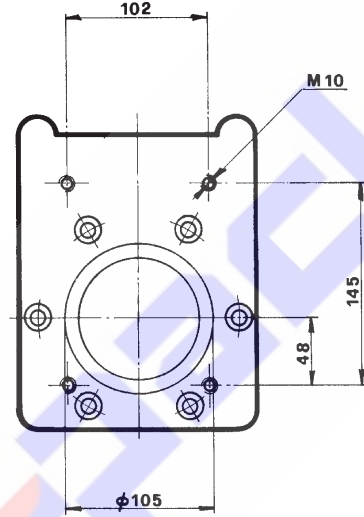
## Flanges for Pump Front Bearing Series 25609 - Gr.4 UNIVERSAL



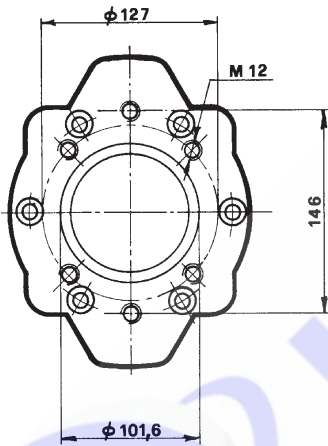
4 P 30403  
3 P 30401



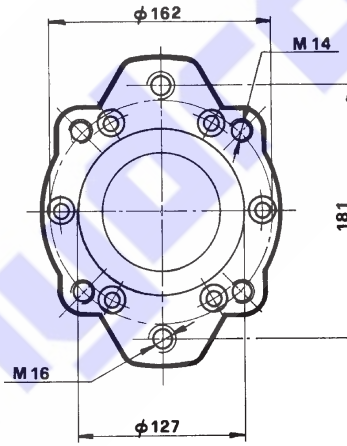
3,5 P 30402



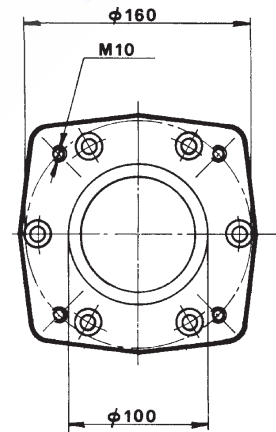
Bosch ZG3 30417



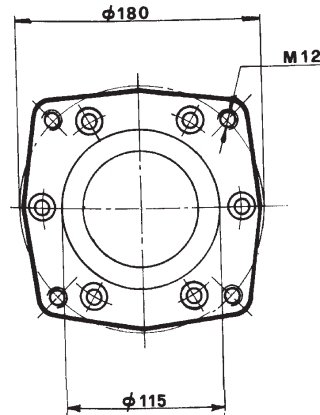
SAE B 2-4 holes  
30421 - 30422



SAE C 2-4 holes  
30431 - 30432



Linde Guldner PF 20-35-50  
30461 - 30462



Linde Guldner PF 75  
30463

## Cast Iron Pump Front Bearing Series 25610 / 24

Front bearing for pump Gr.3  
 Pump side centering diam. 50,8 mm.  
 Outlet centering diam. 50,8 mm.



### ORDER CODE

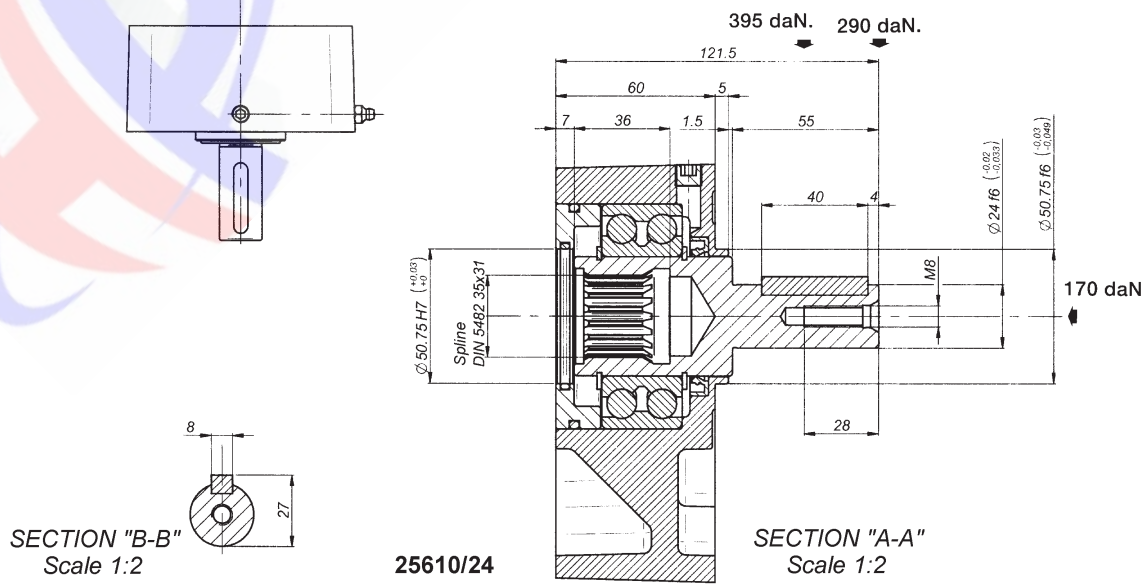
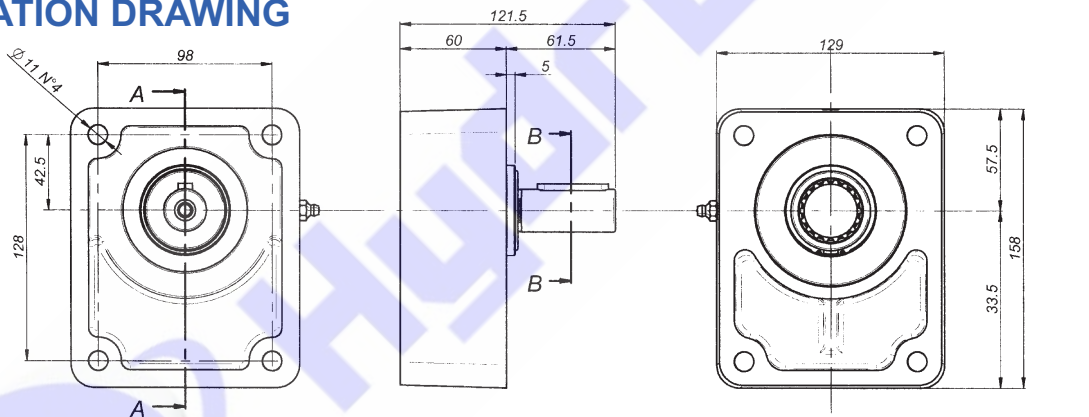
25610/24 -

Cast Iron front bearing for pump Gr.3  
 Pump side centering diam. 50,8 mm.  
 Outlet centering diam. 50,8 mm.

Outlet shaft  
 Parallel 24 mm. diam. = 25610/24

Special versions

### INSTALLATION DRAWING



SECTION "B-B"  
Scale 1:2

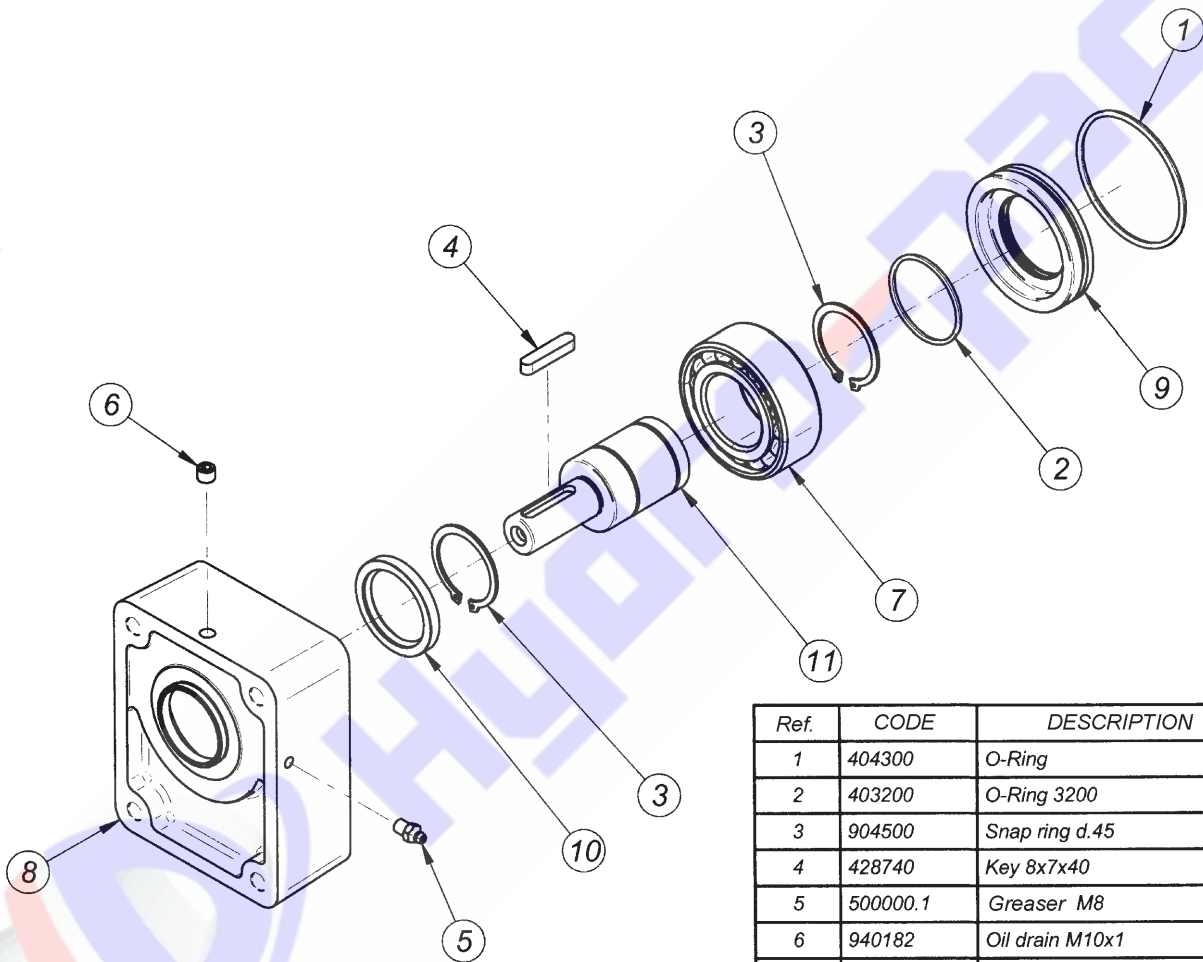
25610/24

SECTION "A-A"  
Scale 1:2



## Cast Iron Pump Front Bearing Series 25610 / 24

### SPARE PARTS LIST



Ref.	CODE	DESCRIPTION	Q.ty
1	404300	O-Ring	1
2	403200	O-Ring 3200	1
3	904500	Snap ring d.45	2
4	428740	Key 8x7x40	1
5	500000.1	Greaser M8	1
6	940182	Oil drain M10x1	1
7	503209/2	Bearing 3209 A	1
8	28000.1	Housing	1
9	COPO85	Ring	1
10	304560	Sealing ring 45x60x7	1
11	AC24/G	Parallel shaft, d = 24 mm.	1

## Cast Iron Pump Front Bearing Series 25610 / 40

Front bearing for pump Gr.3  
 Pump side centering diam. 50,8 mm.  
 Outlet centering diam. 50,8 mm.



### ORDER CODE

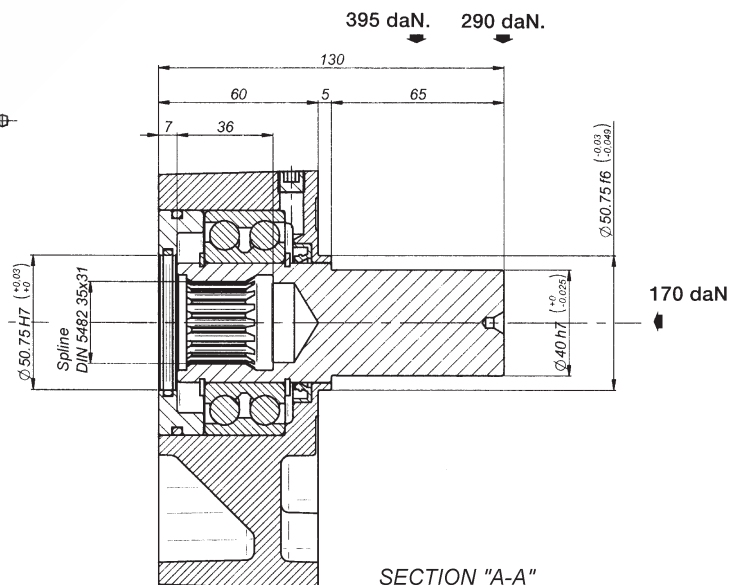
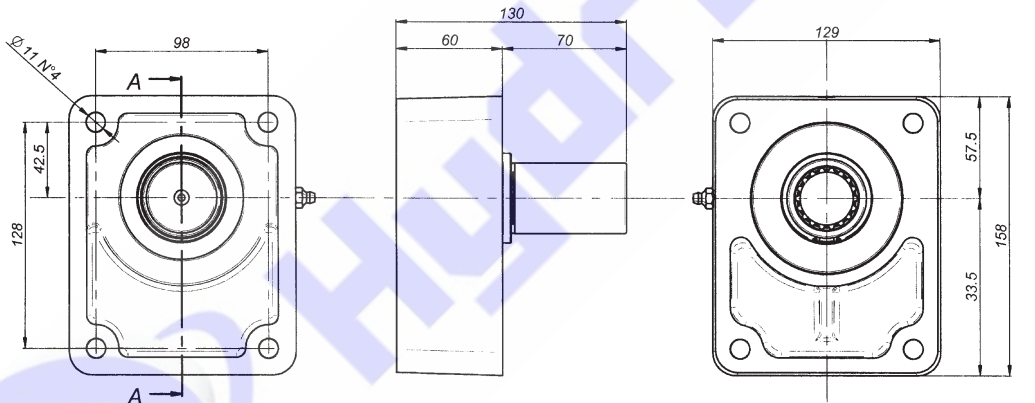
25610/40 -

Special versions

Cast Iron front bearing for pump Gr.3  
 Pump side centering diam. 50,8 mm.  
 Outlet centering diam. 50,8 mm.

Outlet shaft  
 Parallel 40 mm. diam. = 25610/40

### INSTALLATION DRAWING

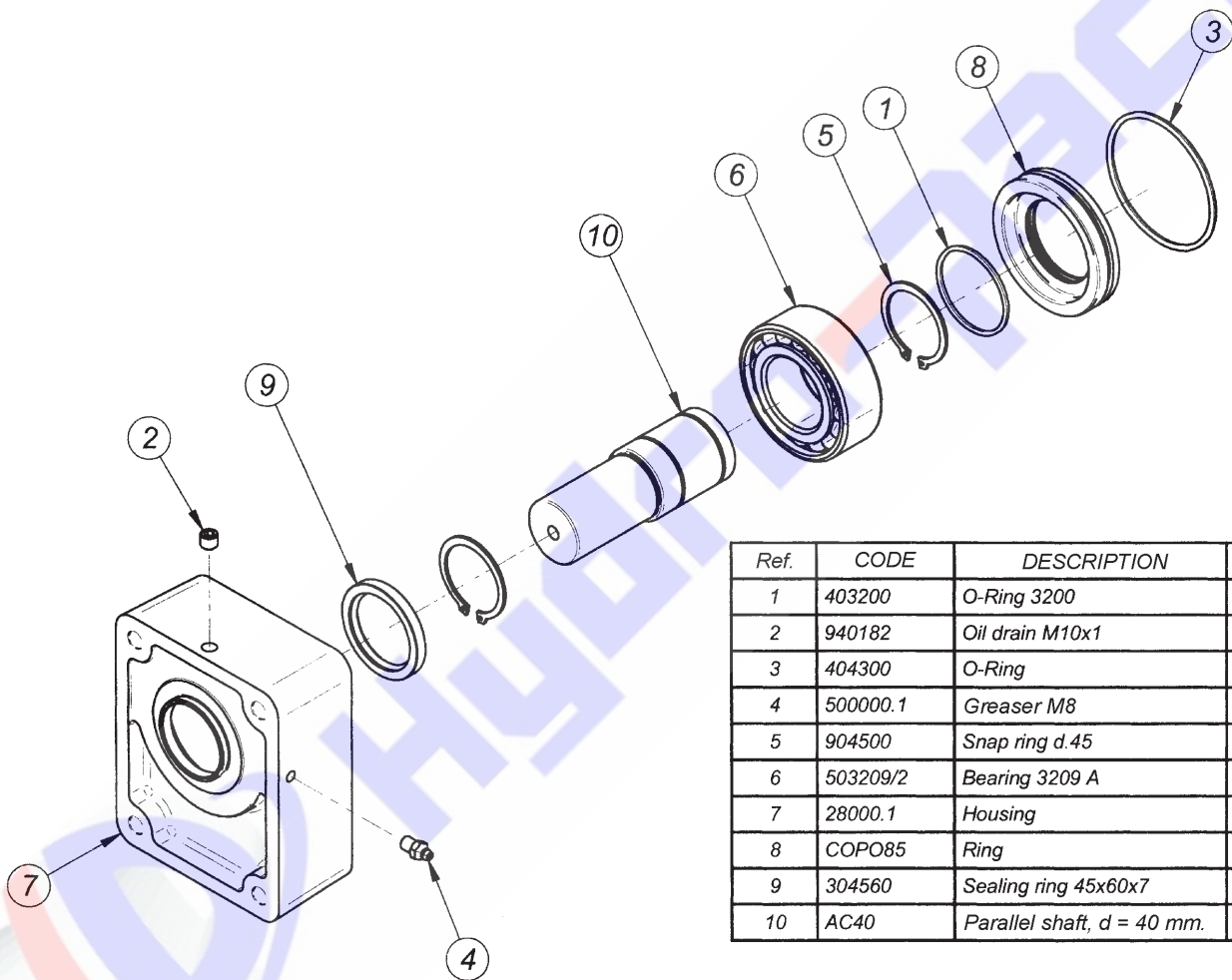


25610/40

SECTION "A-A"

## Cast Iron Pump Front Bearing Series 25610 / 40

### SPARE PARTS LIST



Ref.	CODE	DESCRIPTION	Q.ty
1	403200	O-Ring 3200	1
2	940182	Oil drain M10x1	1
3	404300	O-Ring	1
4	500000.1	Greaser M8	1
5	904500	Snap ring d.45	2
6	503209/2	Bearing 3209 A	1
7	28000.1	Housing	1
8	COPO85	Ring	1
9	304560	Sealing ring 45x60x7	1
10	AC40	Parallel shaft, d = 40 mm.	1